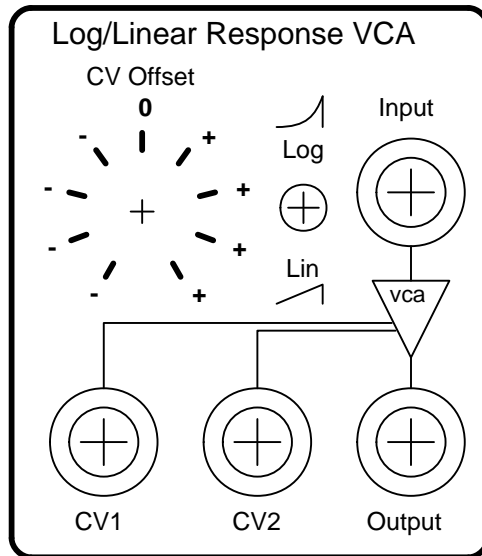
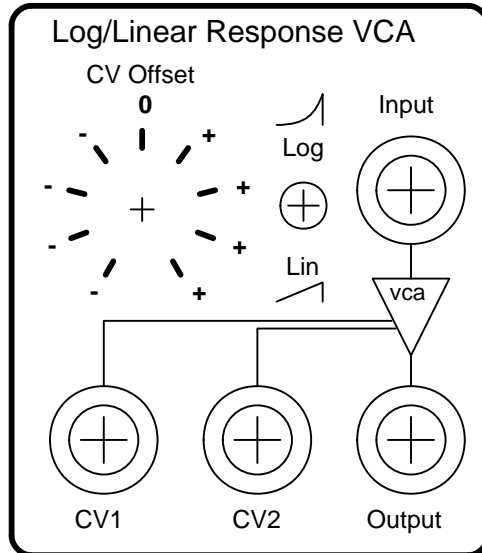


Front Panel

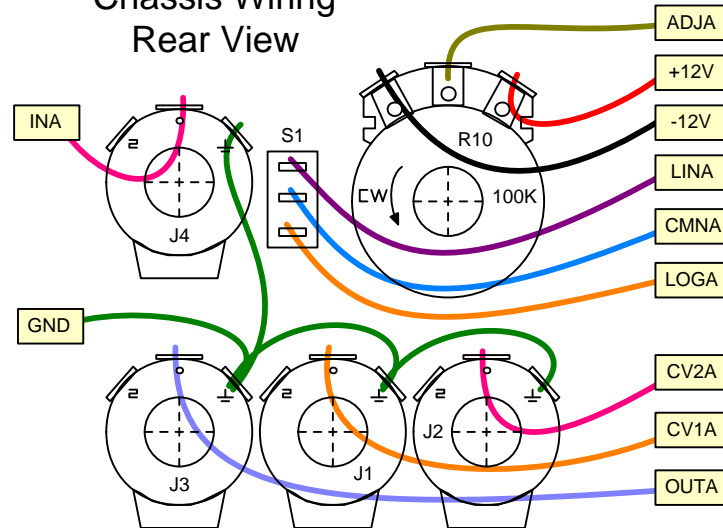
VCA-A



VCA-B



Chassis Wiring Rear View



If chassis is conductive you only need to connect one jack ground. The pot body should also be grounded. Check for which terminal is ground before wiring.

