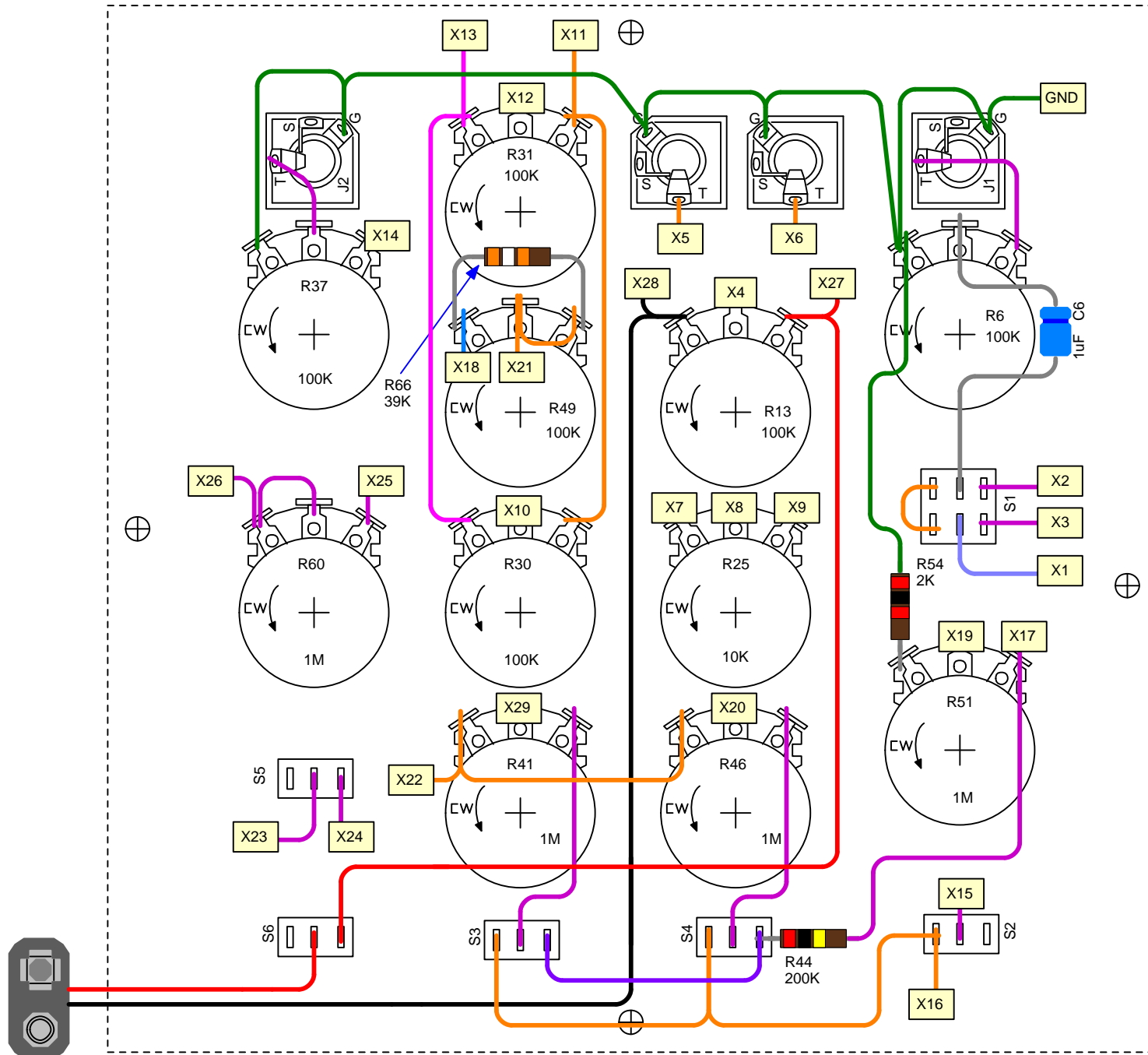


ECHO ROCKET PANEL WIRING (REAR VIEW)



Numbered rectangles are wired to the PC board's correspondingly numbered pads.