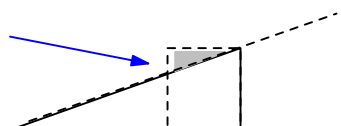
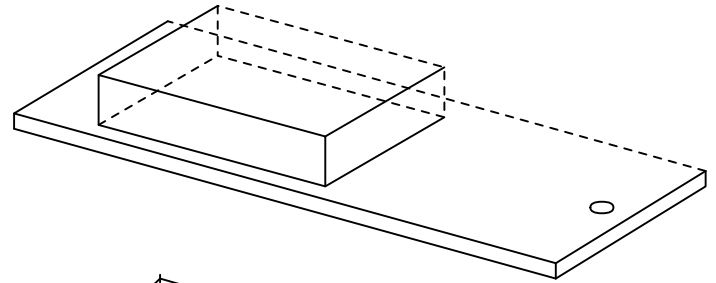


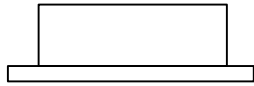
When glue is completely dry sand the protruding corner down even with the slope of the case sides.



Glue and clamp battery access port parts together.

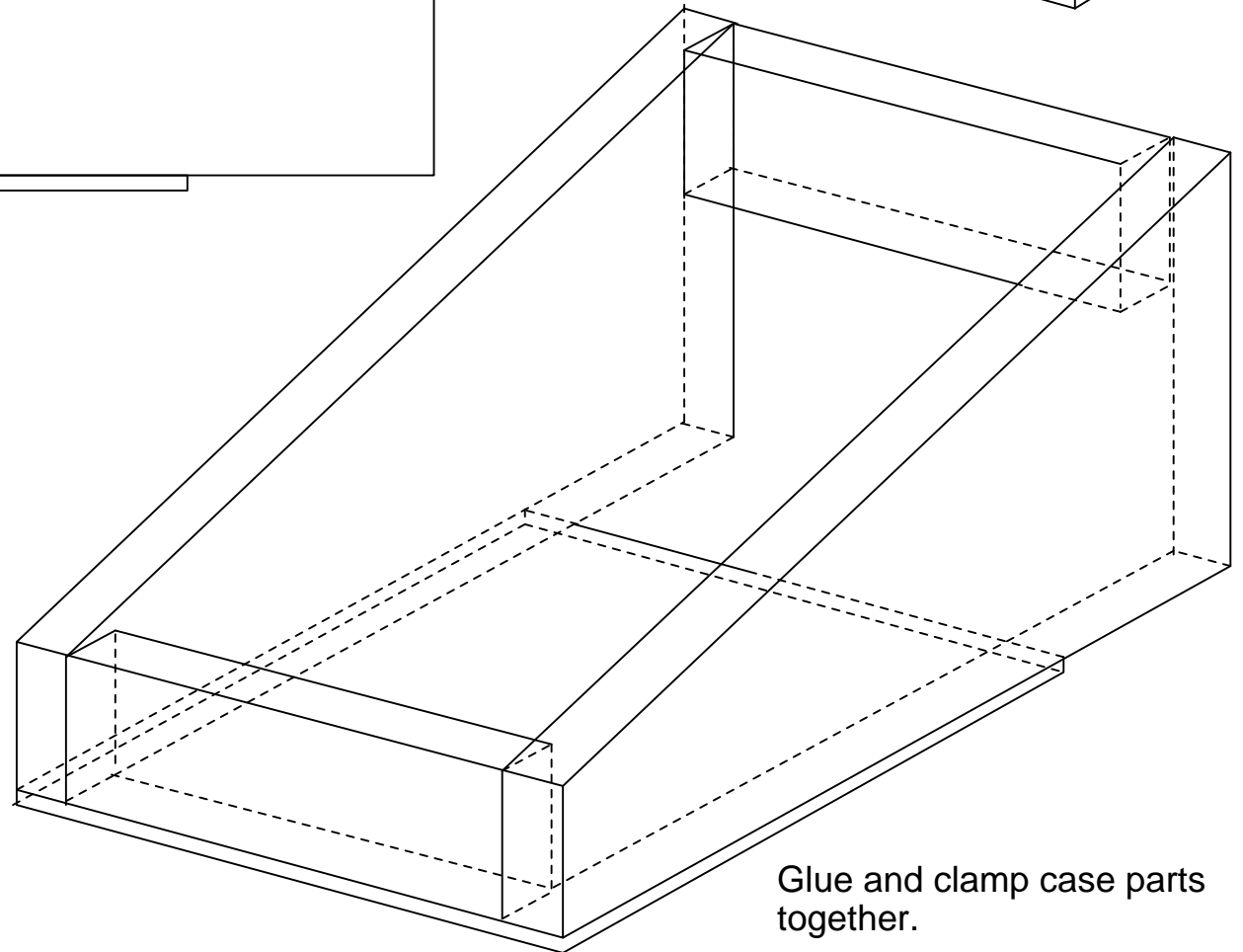
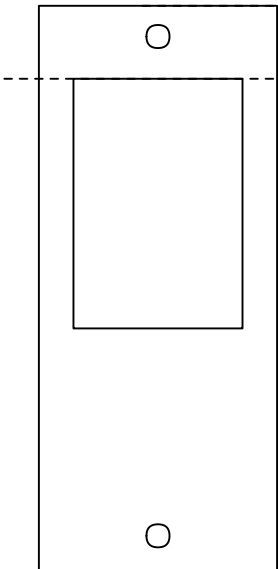


Battery Access Port side view



5/8"

Battery Access Port top view



Glue and clamp case parts together.