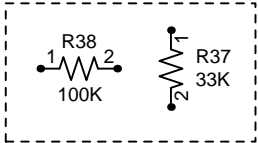
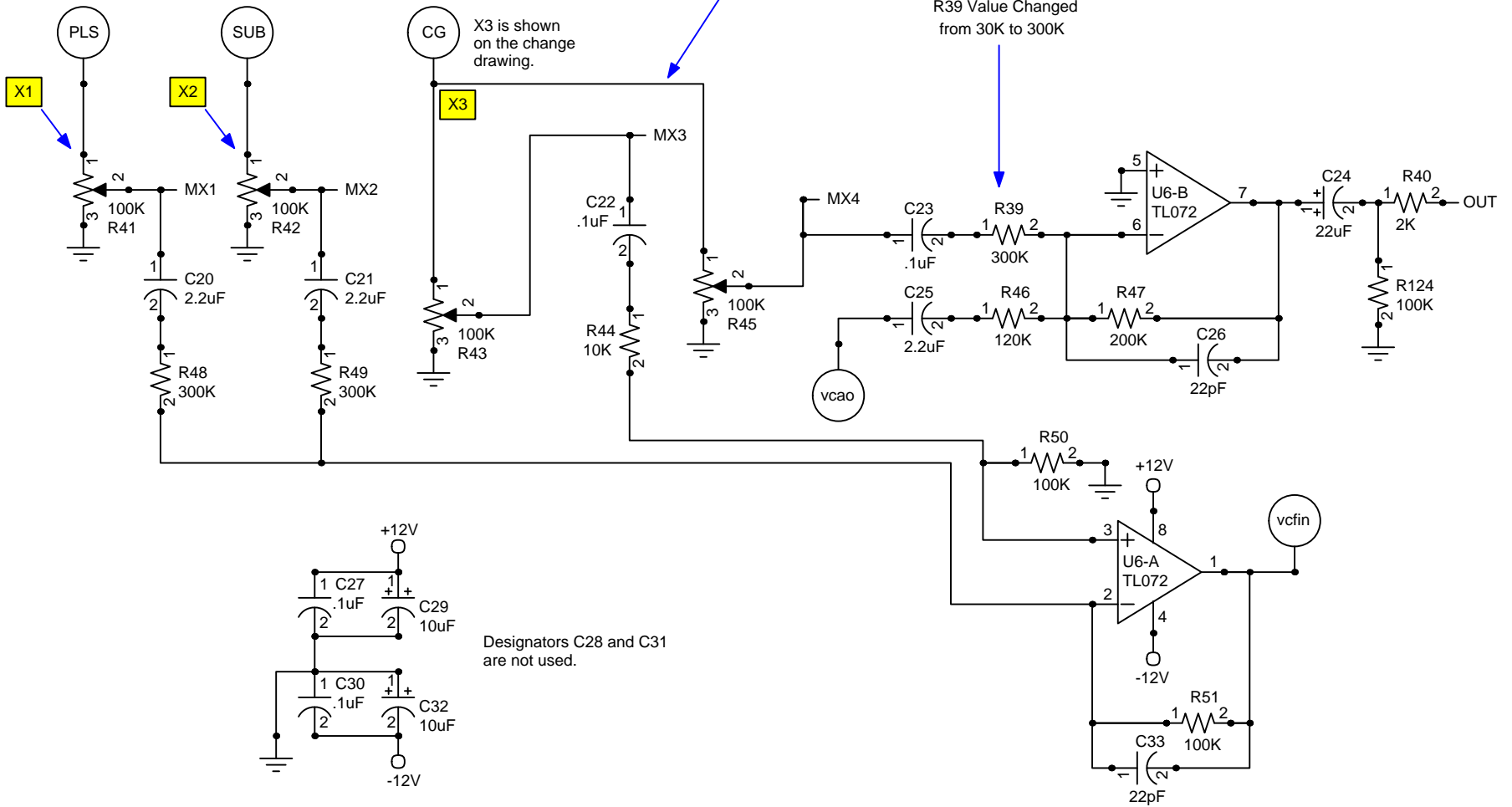


R37 and R38 Not Used  
Remove from PC Board.



This wire comes from the hole formerly used by R38 on the "CG" side.



Designators C28 and C31 are not used.