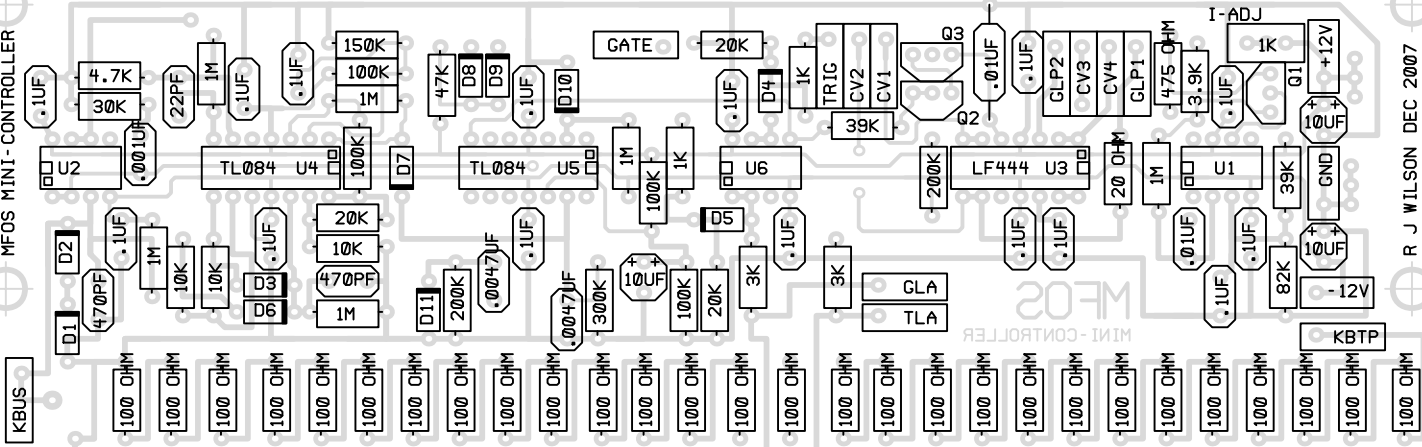


MFOS MINI-CONTROLLER

LED2  
GATE  
LED1  
TRIG



COPYRIGHT RAY WILSON AND MUSIC FROM OUTER SPACE

MFOS MINI-CONTROLLER

PCB SIZE W-7.60" X H-3.80"

R J WILSON DEC 2007