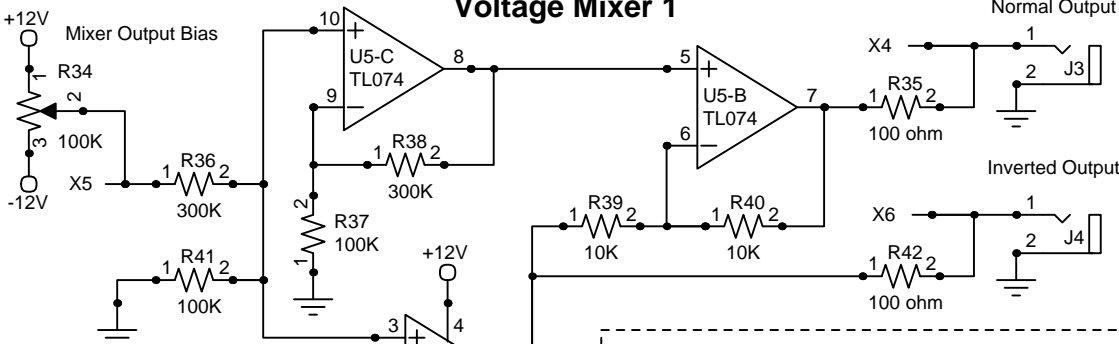


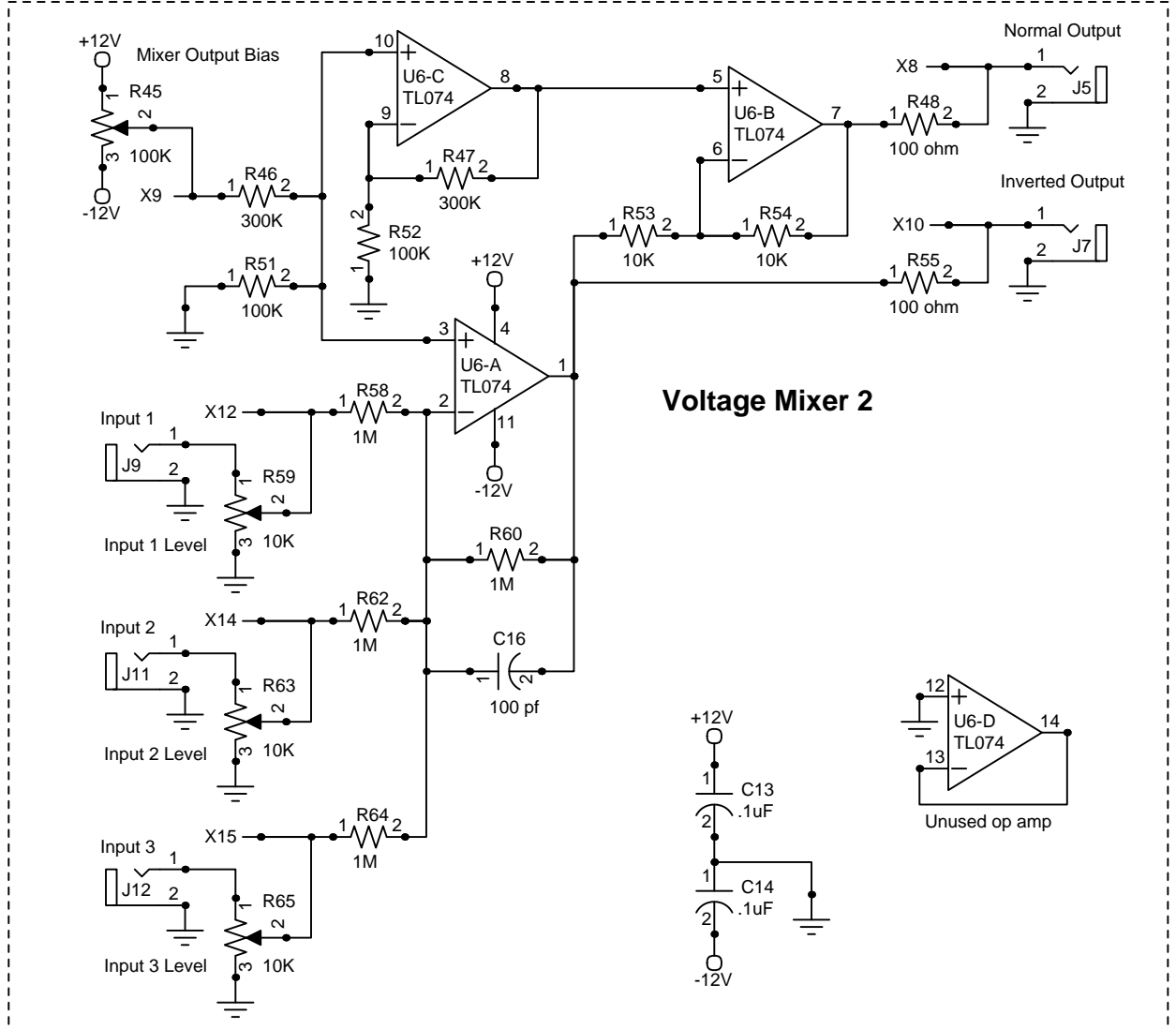
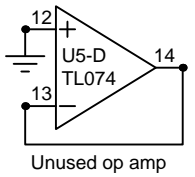
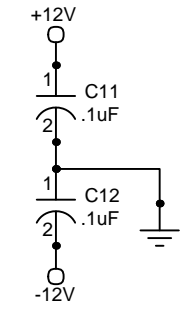
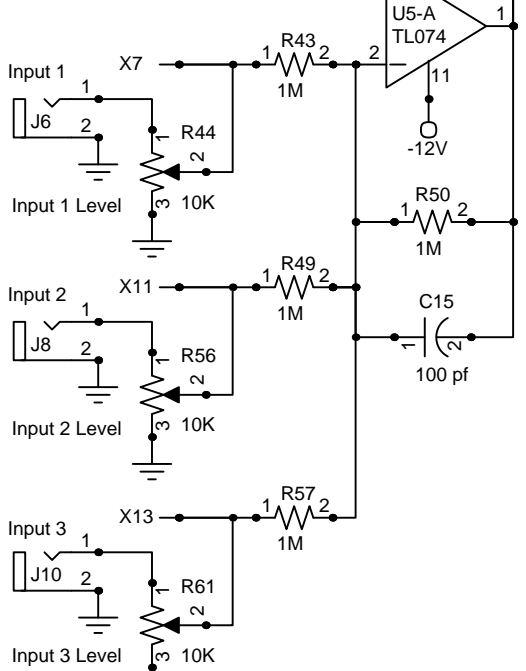
# Voltage Mixer 1



# MFOS MFM

## MFOS Dual DC Voltage Mixer

Designed by Ray Wilson November 2009.  
Copyright 2010 MFOS



# Voltage Mixer 2

