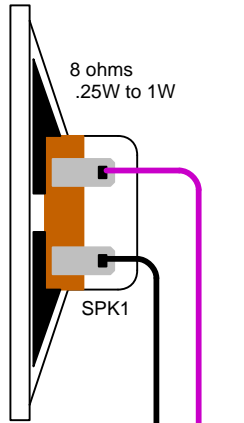
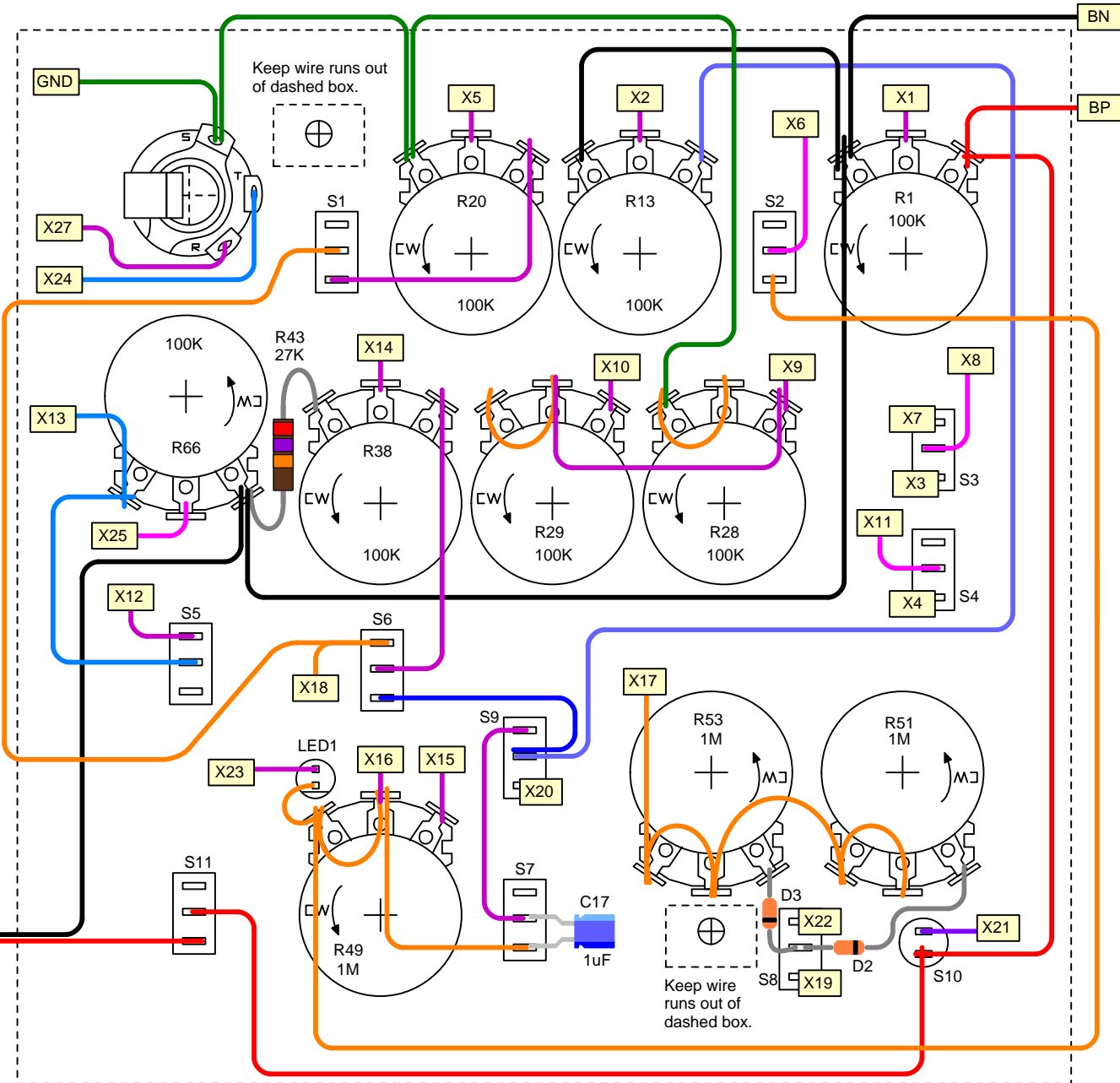


# MFOS NOISE TOASTER Rear Wiring View

Use metal for faceplate. The ground of the jack is assumed to ground the front plate. Use a jack that has a metal ground ring.



To PCB pad next to X26 which connects to point BN.



Observe these notes.

Keep panel component interconnection wires neat and low (close to faceplate) PC board gets mounted on stand-offs over the panel components. DO NOT SHORT WIRING TO PANEL.

Keep wire runs out of dashed box.

The mounting stand-off machine screws and standoffs get mounted near these areas.

Wire routes shown are for clarity. Use shorter routes when possible. Keep high level signals away from low level signals. (i.e. inputs away from outputs as much as possible.

Switches shown are single pole double throw which is the type sent with the kit. Just wire them as shown and leave any unconnected terminals empty.

Yellow labels correspond to PC board connection points. Run a wire from each marked terminal to the corresponding pad on the PC board. Keep wiring neat.

D2 and D3 (1N914 Diodes) are installed on the front panel as shown.  
C17 (1uF aluminum bipolar) is mounted across the terminals of S7 as shown.