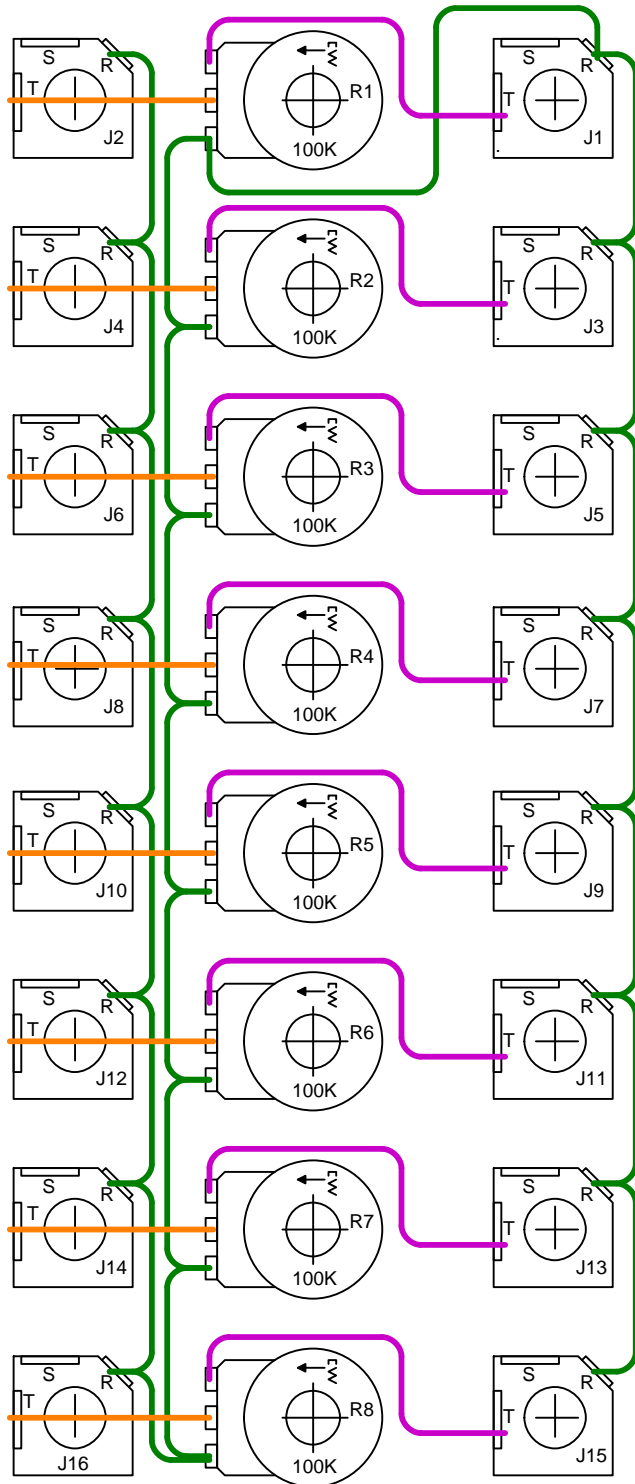


# Oct-Attenuator Rear Wiring View



0.00"  
0.00"

PANEL SIZE W-3.50" X H-8.75" X 0.063" AL 6061