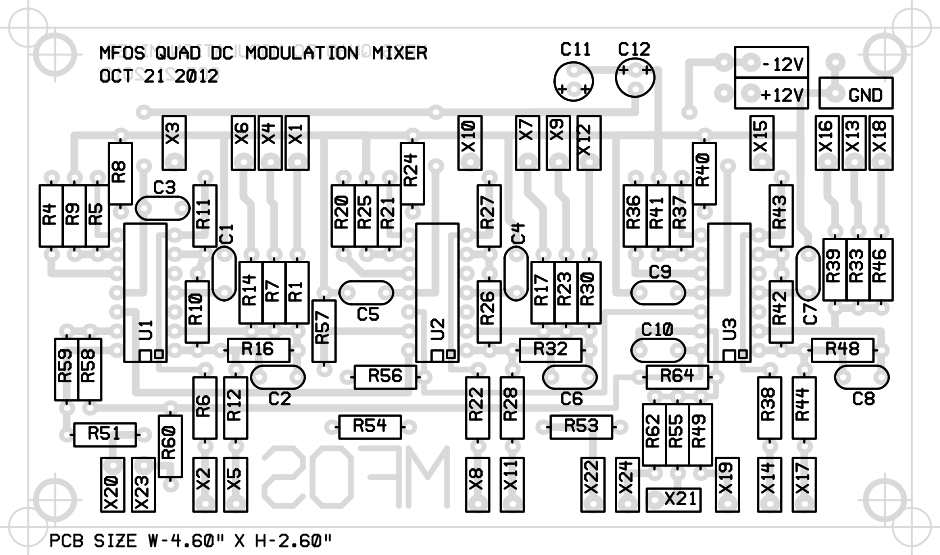


MF02 QUAD DC MODULATION MIXER
OCT 21 2012



PCB SIZE W-4.60" X H-2.60"