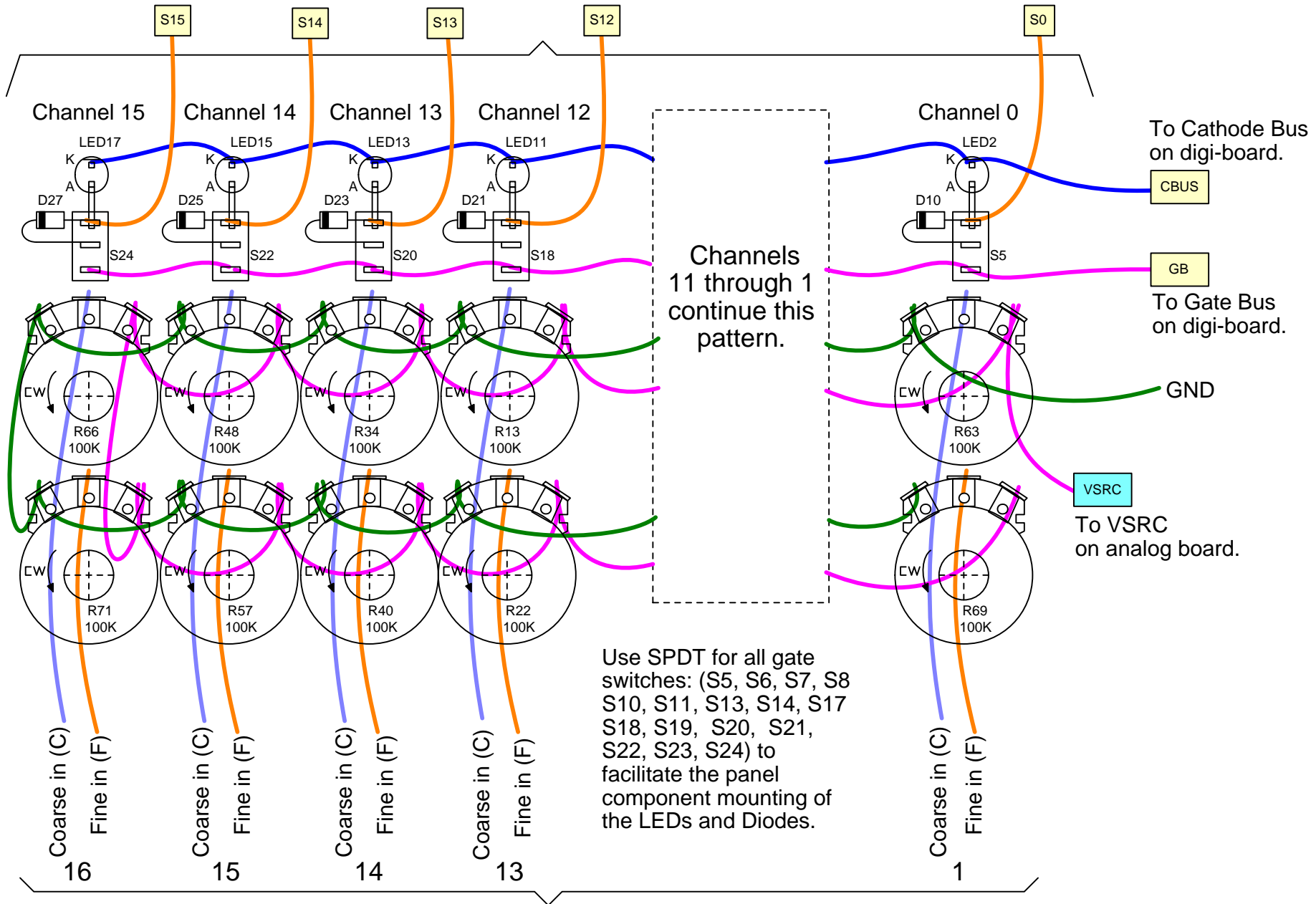


To Digital Board outputs 0 through 15 (CD4514 outputs)



Channels 11 through 1 continue this pattern.

Use SPDT for all gate switches: (S5, S6, S7, S8, S10, S11, S13, S14, S17, S18, S19, S20, S21, S22, S23, S24) to facilitate the panel component mounting of the LEDs and Diodes.

To Coarse and Fine Input Resistors on Analog Board