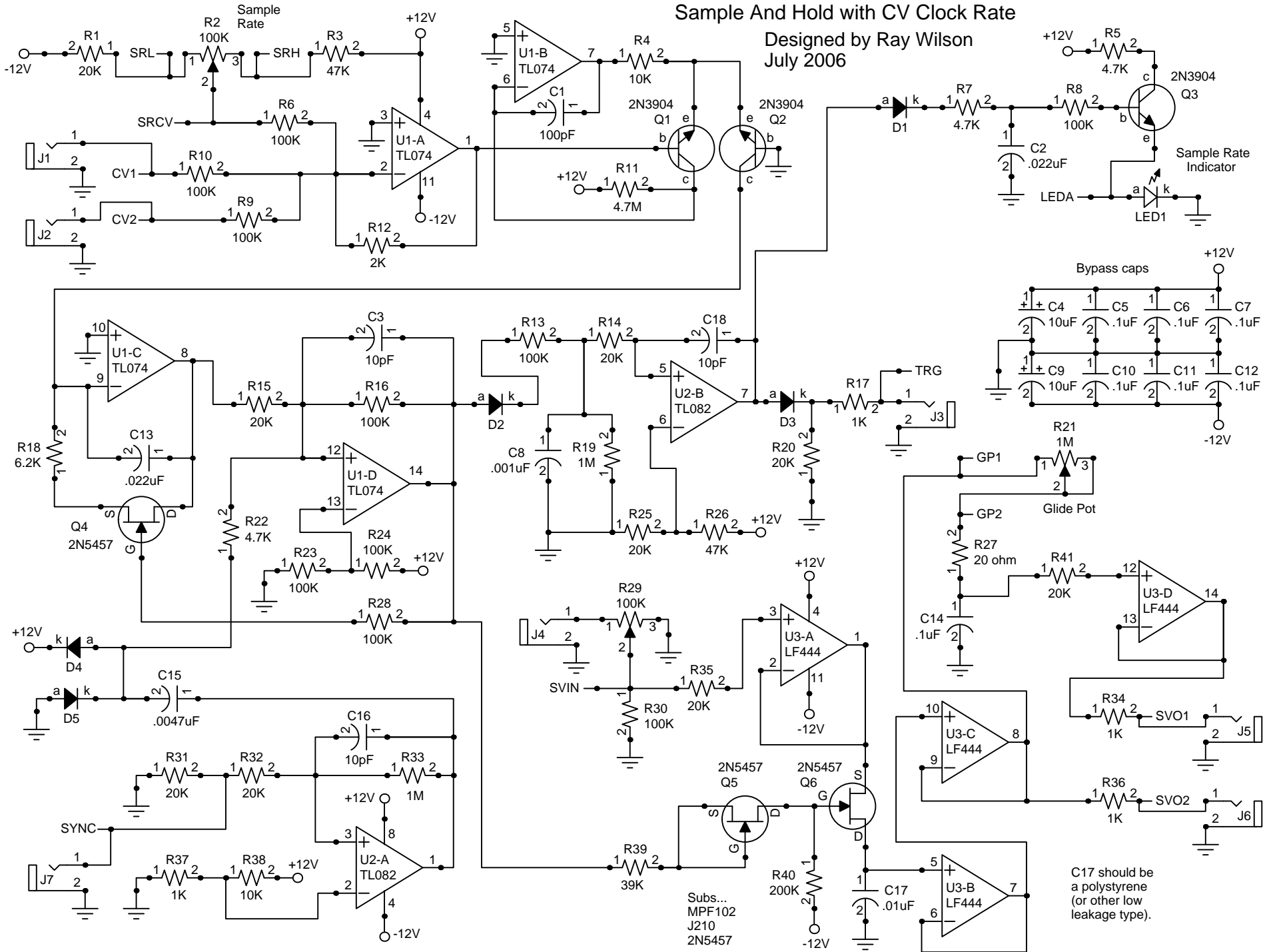


Sample And Hold with CV Clock Rate

Designed by Ray Wilson
July 2006



C17 should be a polystyrene (or other low leakage type).

Subs...
MPF102
J210
2N5457