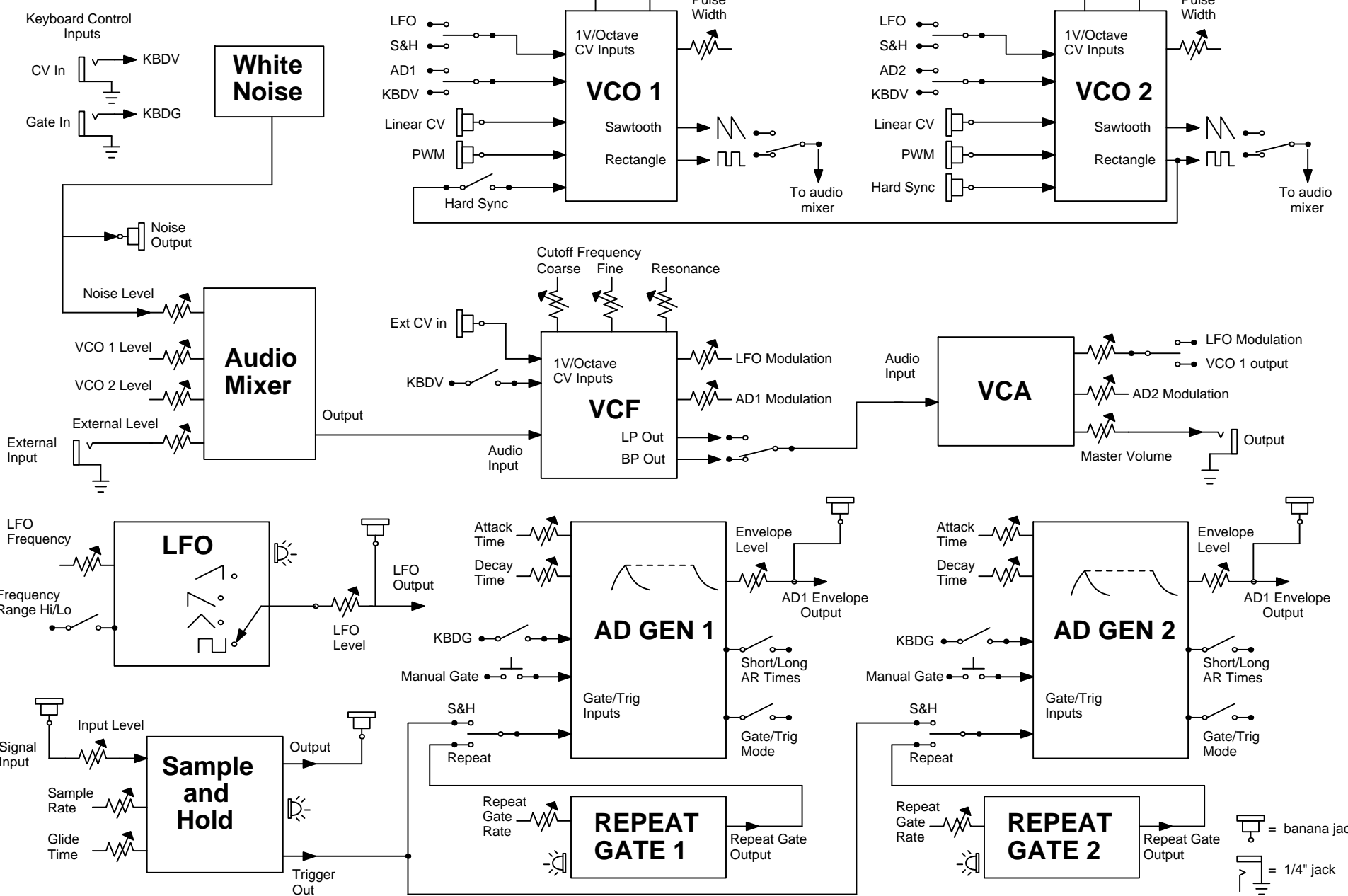

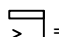
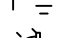


# Sound Lab Mini-Synth Mark II Synthesizer

## Block Diagram



-  = banana jack
-  = 1/4" jack
-  = Rate LED