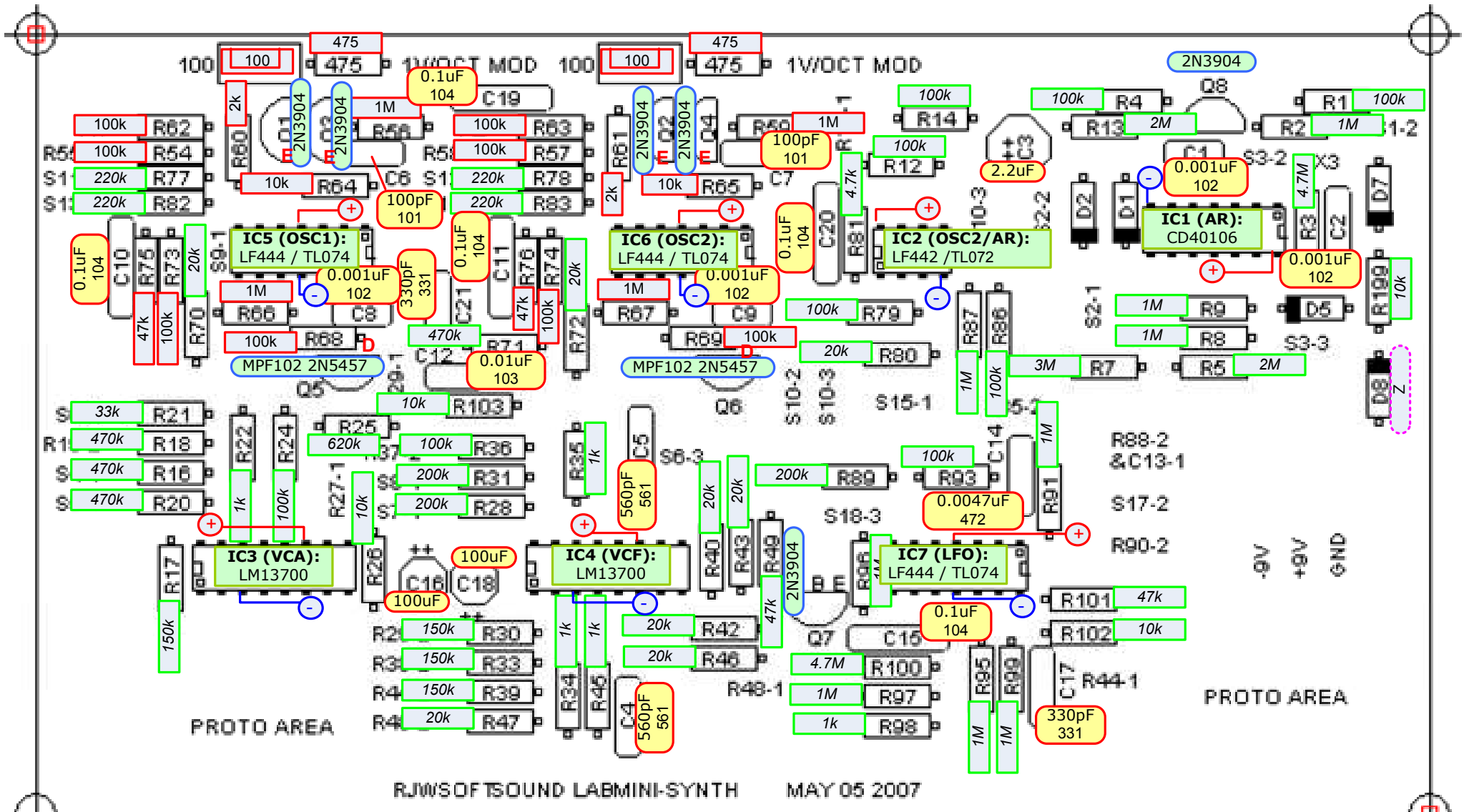
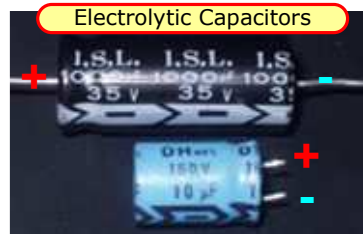
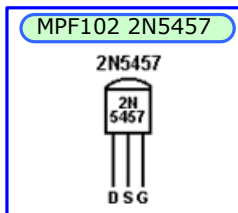


Silkscreen top layer with additional Details



PCB SIZE W-6.60" X H-3.70"



LEGEND

- 100k 1/4 Watt, 1% tolerance (last ring: brown)
- 100k 1/4 Watt, 5% tolerance (last ring: golden)
- .001uF Capacitor
- 100 Trimm potention meters

- 2N3904 Transistor
- LF442 IC
- 1N4148 Diode
- Z Zener Diode