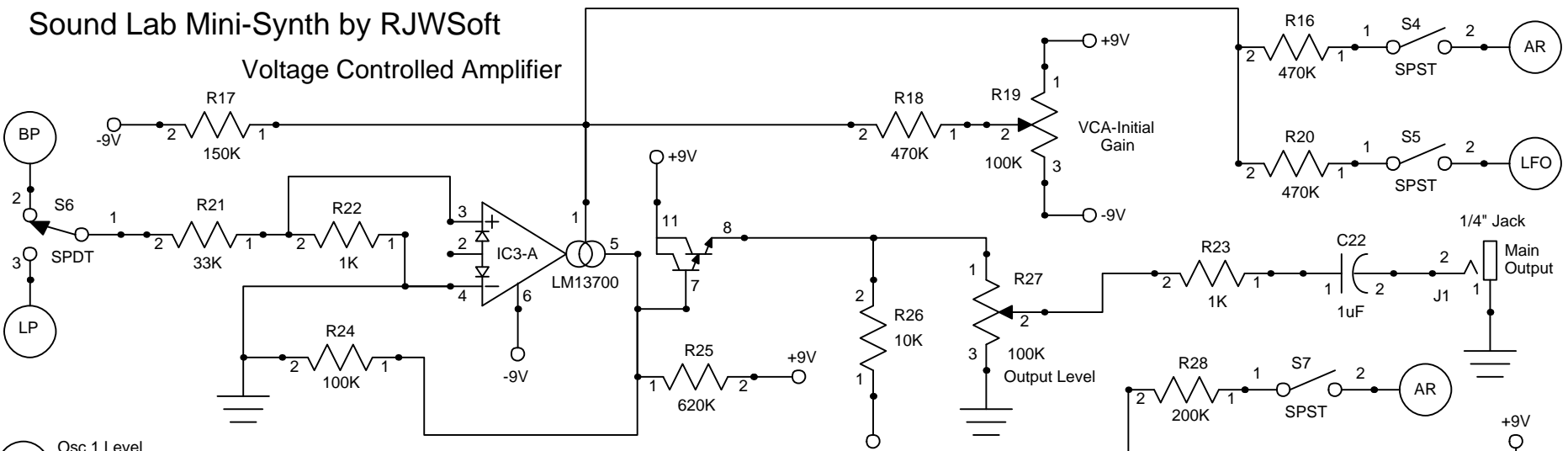
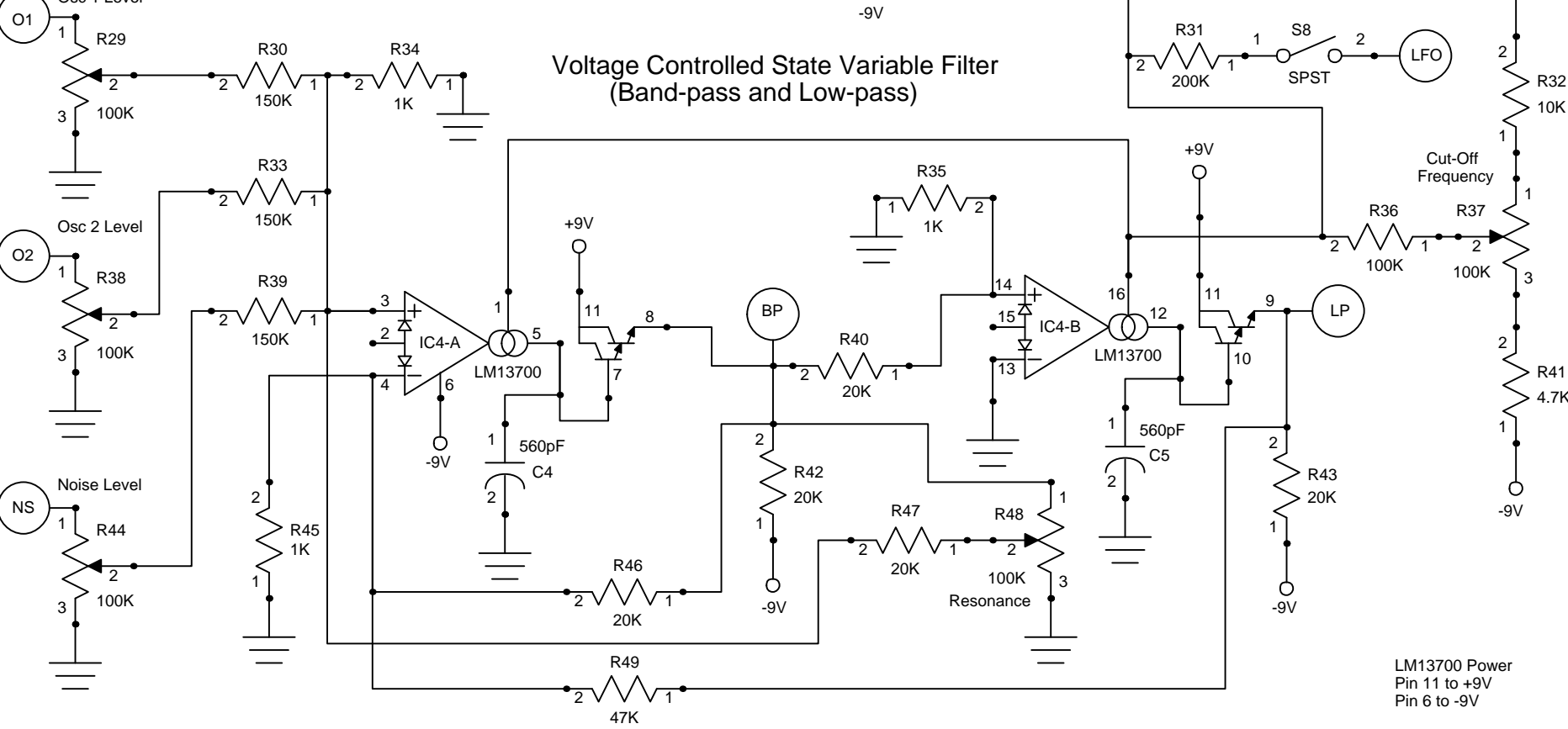


Sound Lab Mini-Synth by RJWSOft

Voltage Controlled Amplifier



Voltage Controlled State Variable Filter (Band-pass and Low-pass)



LM13700 Power
Pin 11 to +9V
Pin 6 to -9V