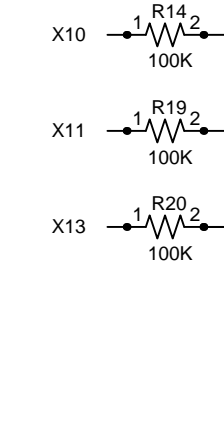


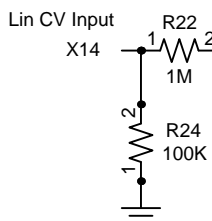
Notes

U1 can be any of these: LF442, LF412, LT1112, AD706
 MPF102 can be replaced with: 2N5457, J210 or PN4391
 All diodes are 1N914 or 1N4148
 A 2K metal film resistor can be used in place of PT146 (R24). However temperature drift will increase.

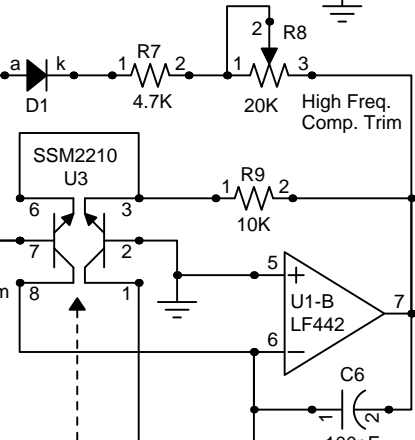
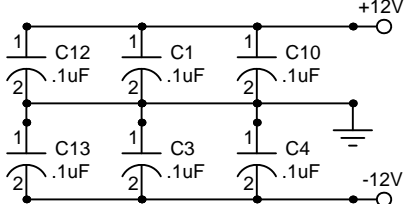
CV Inputs



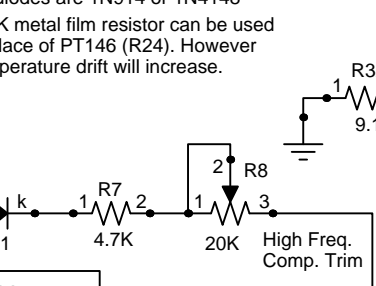
PT146 +3500 ppm/C Temp Comp Res. Precision Resistor Co. for optimal temperature compensation.



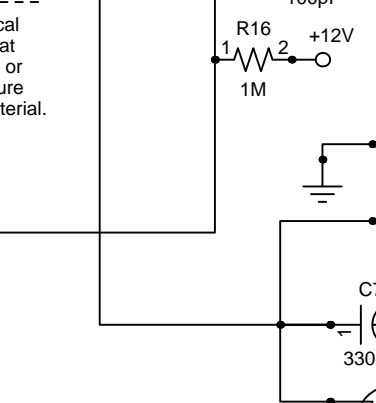
Bypass Caps



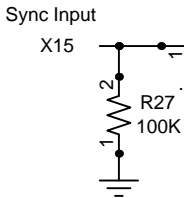
Mount in physical contact with heat sink compound or other temperature transferring material.



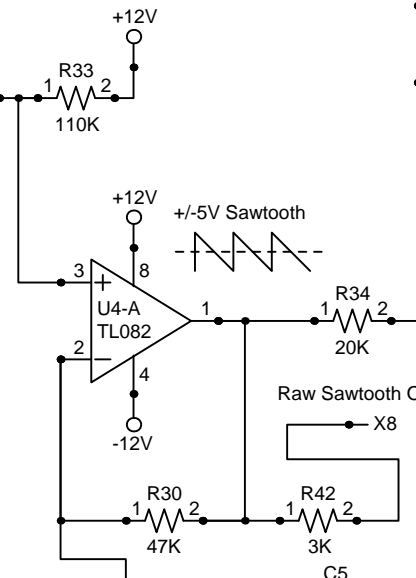
High Freq. Comp. Trim



MPF102

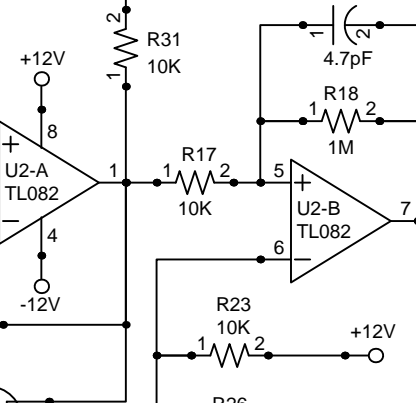


Sync Input

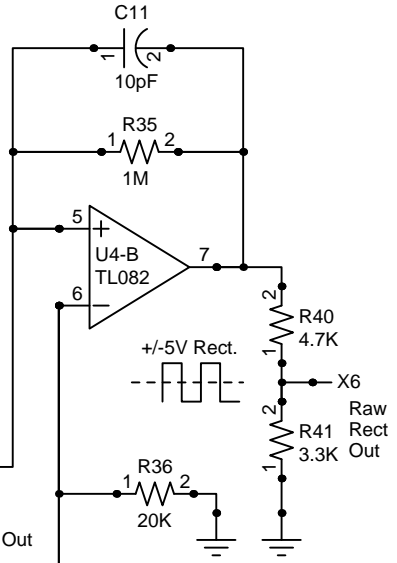


+/-5V Sawtooth

Raw Sawtooth Out

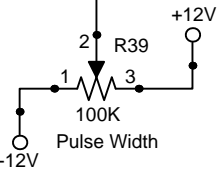


Pulse Width



+/-5V Rect.

Raw Rect Out



Pulse Width