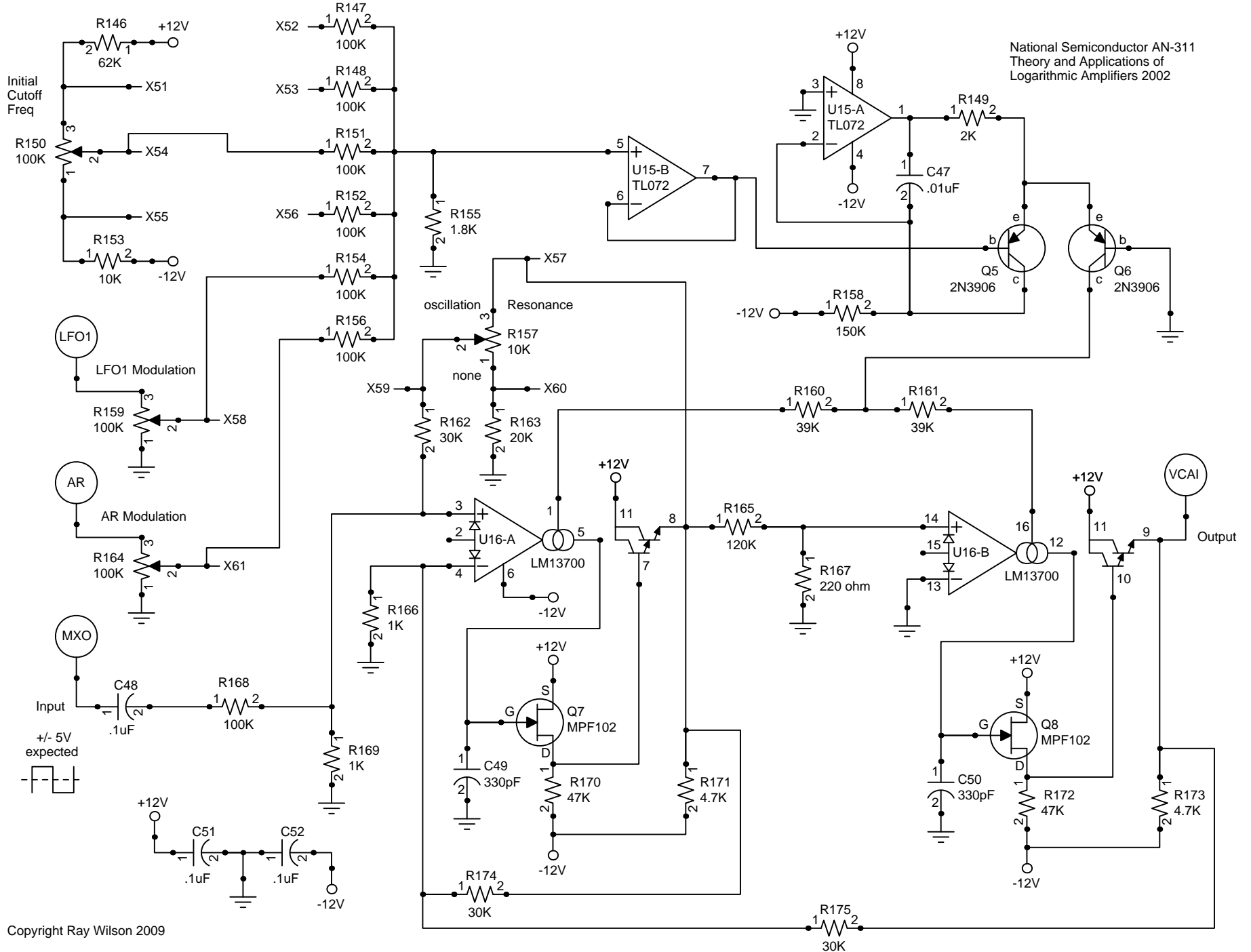


# MFOS Sound Lab MAXI Synth Two Pole Voltage Controlled Low Pass Filter



National Semiconductor AN-311  
Theory and Applications of  
Logarithmic Amplifiers 2002