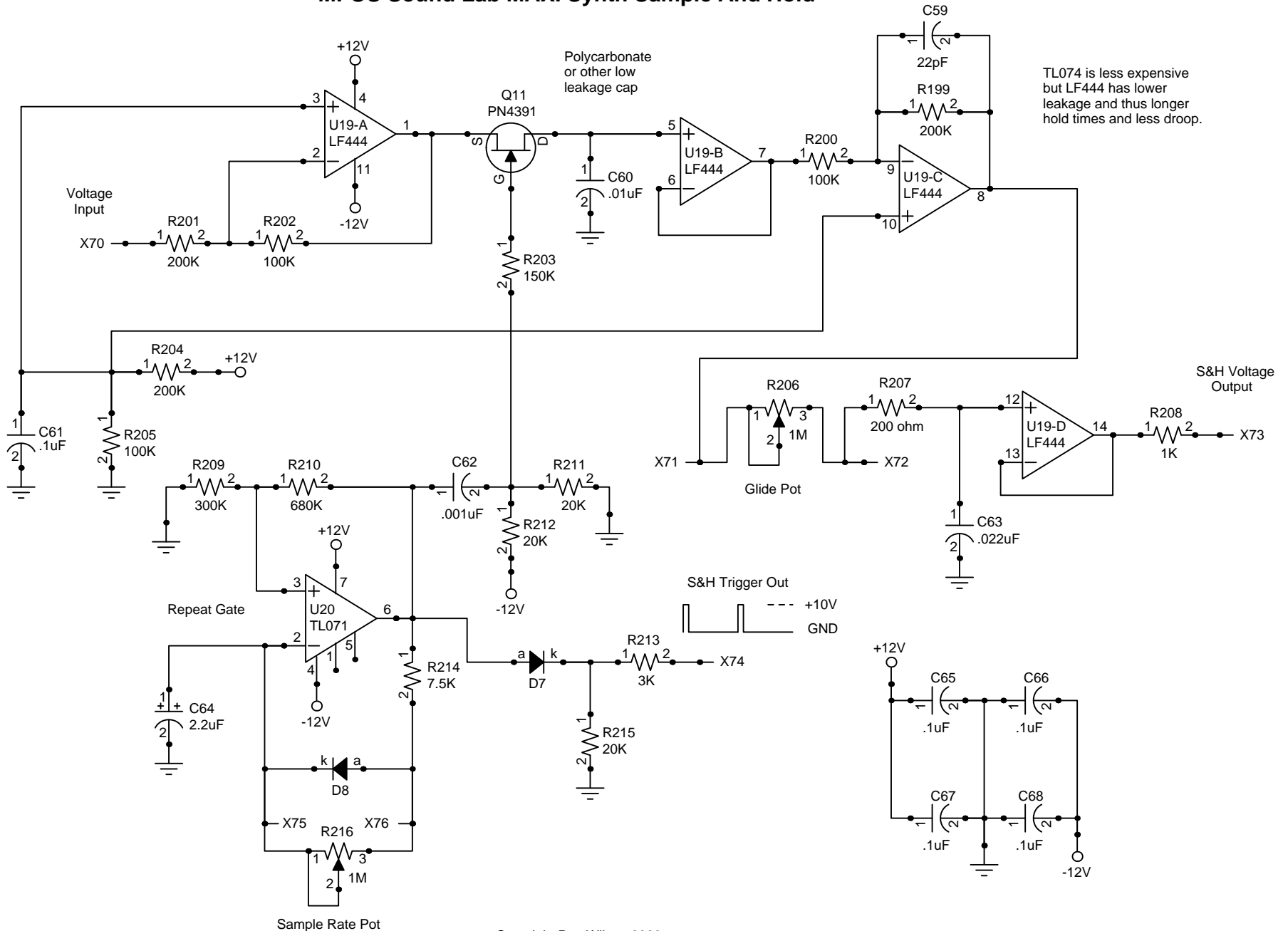


# MFOS Sound Lab MAXI Synth Sample And Hold



TL071 is less expensive but LF444 has lower leakage and thus longer hold times and less droop.

