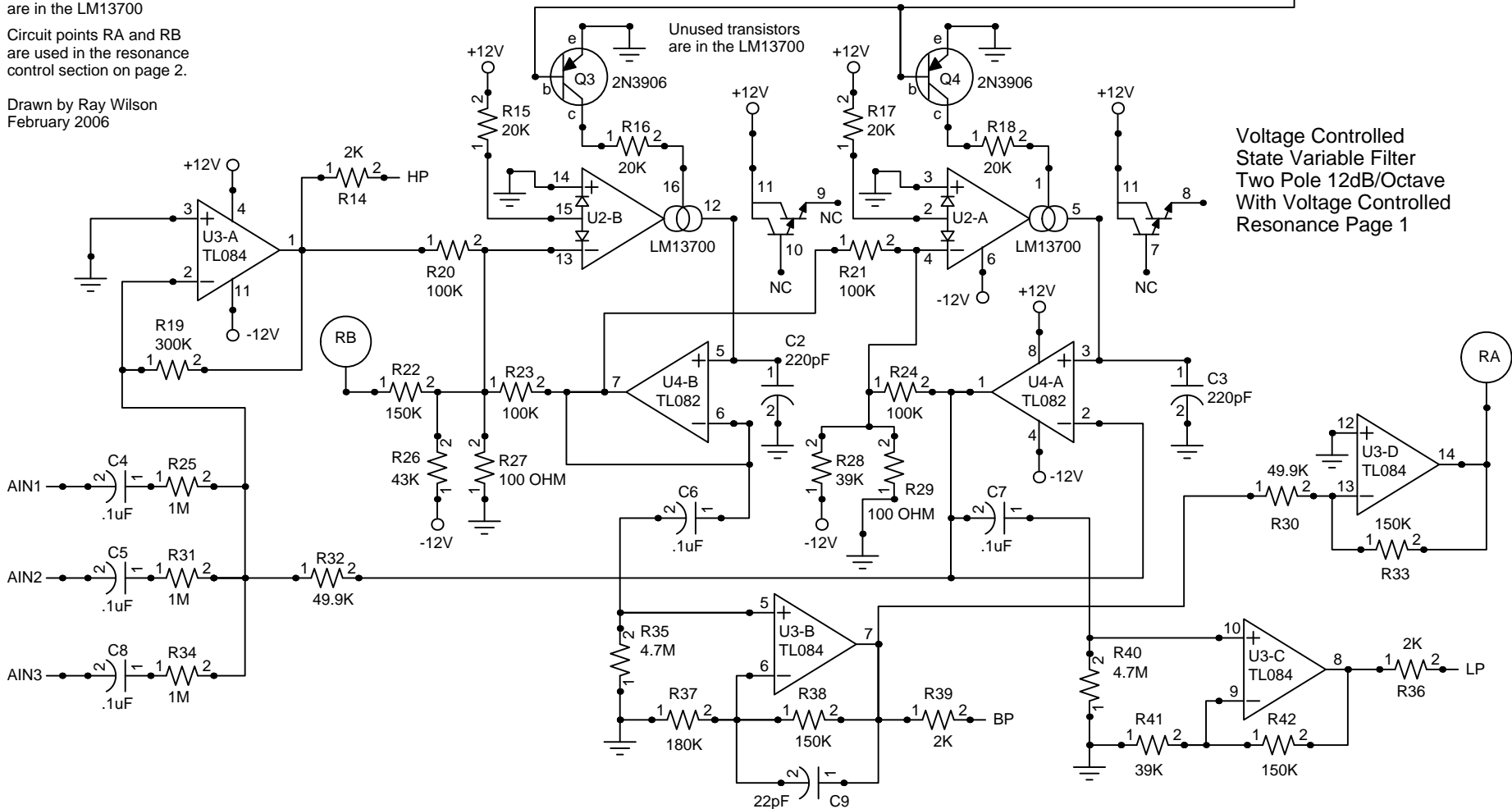


Notes  
 Unused transistors  
 are in the LM13700

Circuit points RA and RB  
 are used in the resonance  
 control section on page 2.

Drawn by Ray Wilson  
 February 2006



Voltage Controlled  
 State Variable Filter  
 Two Pole 12dB/Octave  
 With Voltage Controlled  
 Resonance Page 1