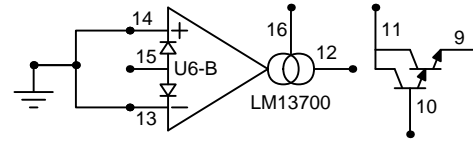
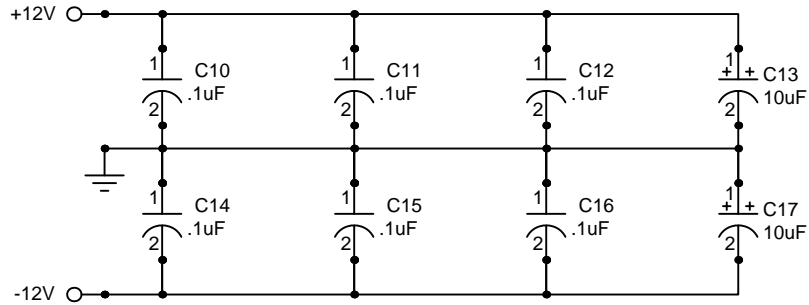
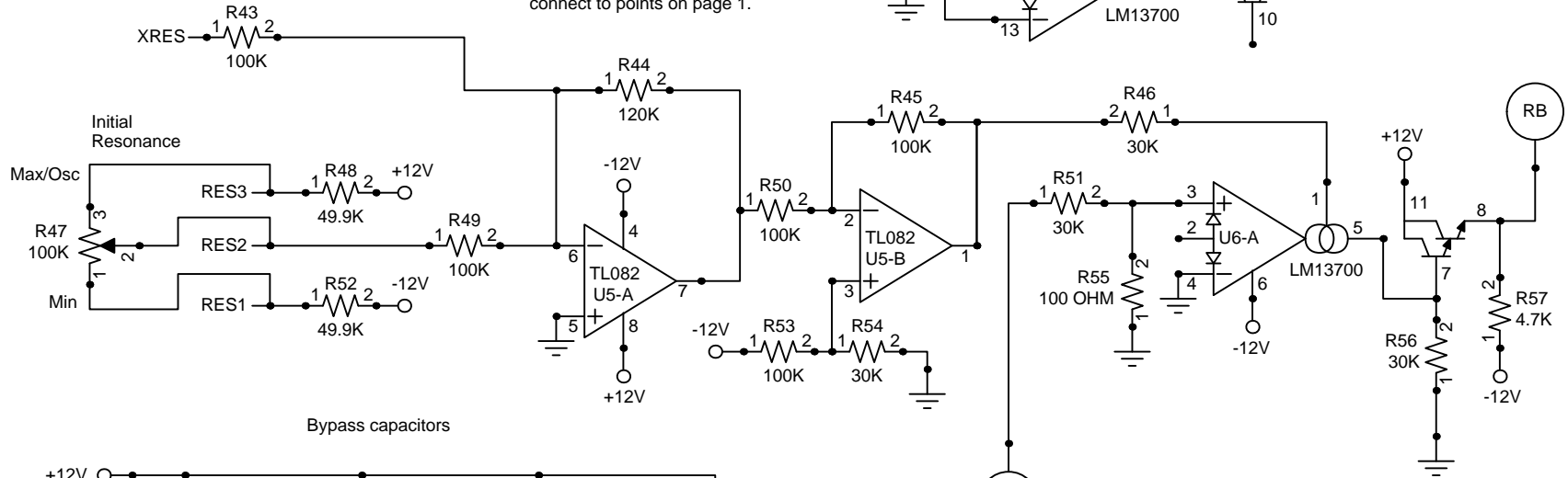


Voltage controlled resonance section

-5V to +5V
no resonance
to oscillation

Notes

Unused transistors
are in the LM13700
Circuit points RA and RB
connect to points on page 1.



Voltage Controlled
State Variable Filter
Two Pole 12dB/Octave
With Voltage Controlled
Resonance Page 2

Drawn by Ray Wilson
February 2006