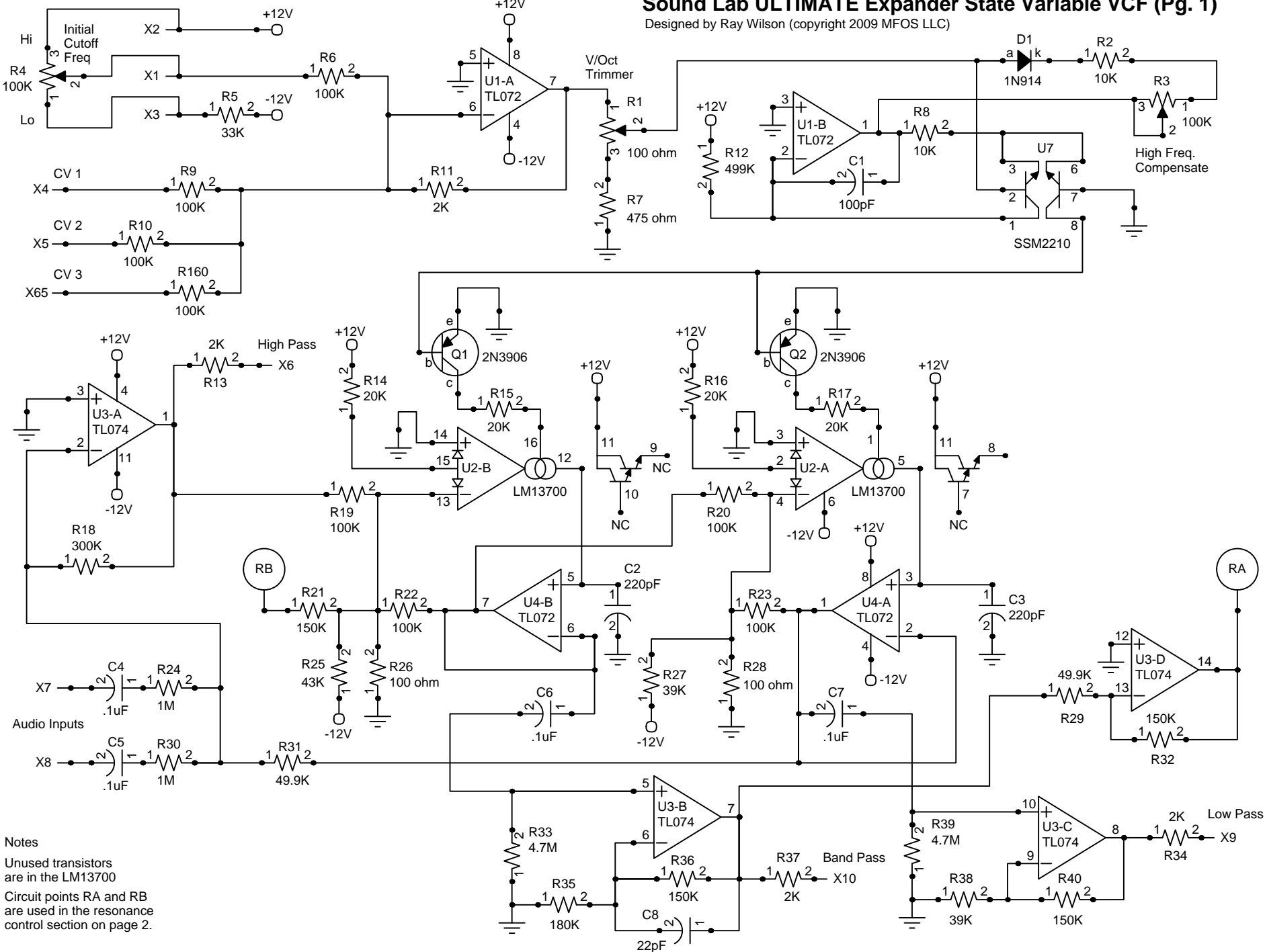


Sound Lab ULTIMATE Expander State Variable VCF (Pg. 1)

Designed by Ray Wilson (copyright 2009 MFOS LLC)



Notes
 Unused transistors are in the LM13700
 Circuit points RA and RB are used in the resonance control section on page 2.