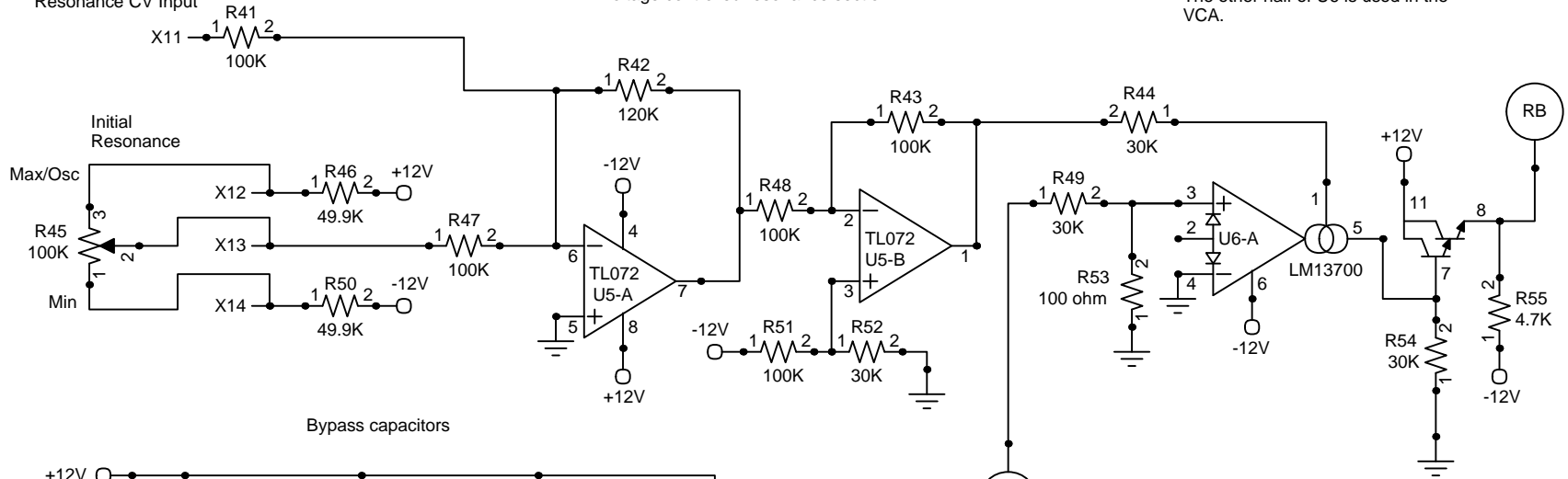


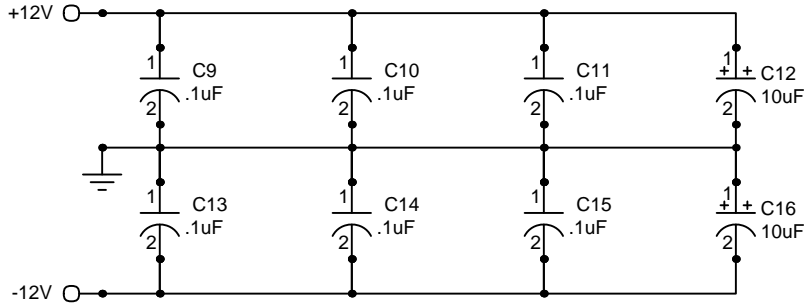
-5V to +5V
 no resonance
 to oscillation

Resonance CV Input Voltage controlled resonance section



NOTE
 The other half of U6 is used in the VCA.

Bypass capacitors



Page 2

Notes
 Unused transistors
 are in the LM13700
 Circuit points RA and RB
 connect to points on page 1.