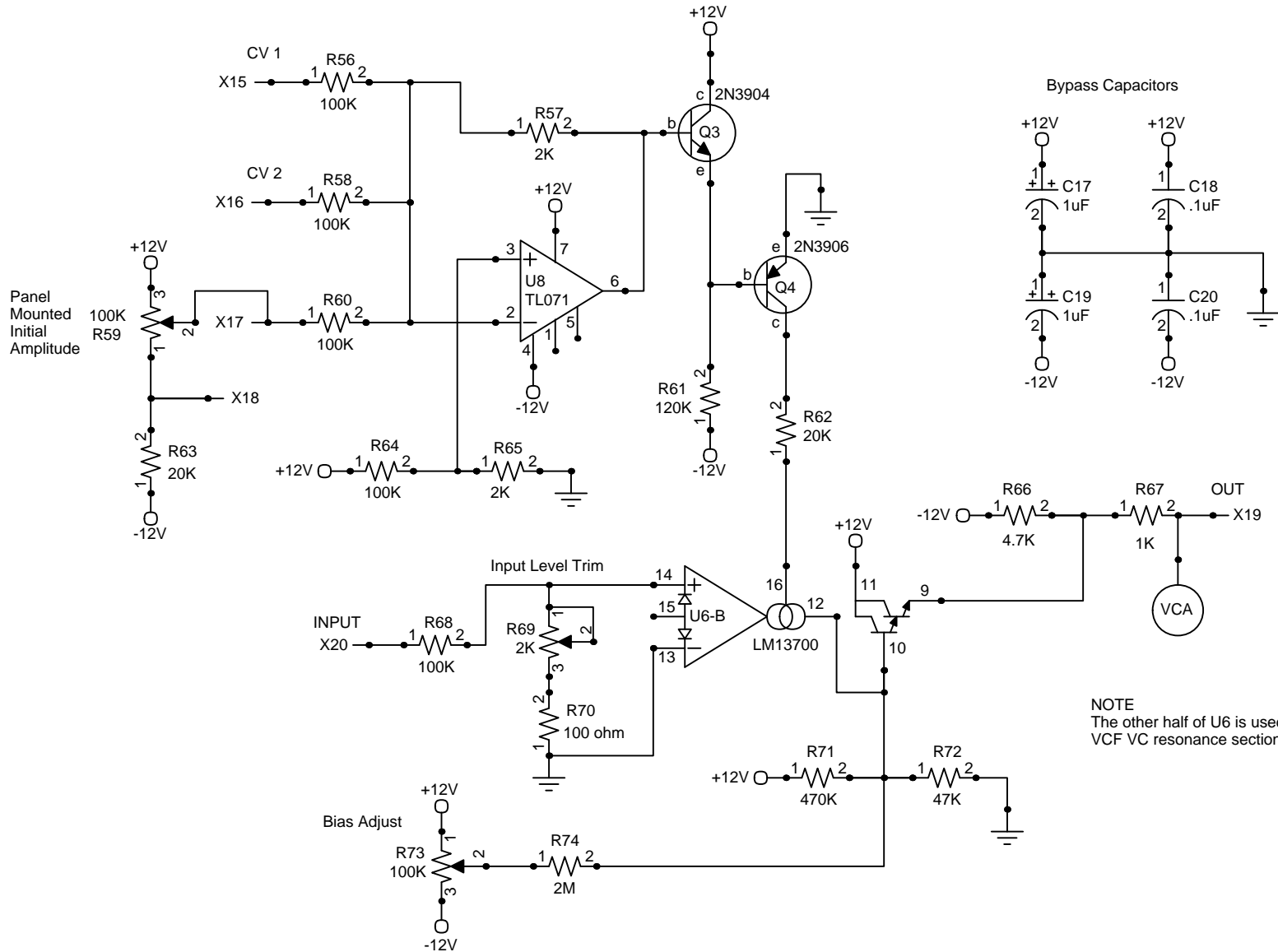


Sound Lab ULTIMATE Expander Voltage Controlled Amplifier

Designed by Ray Wilson (copyright 2009 MFOS LLC)



NOTE
The other half of U6 is used in the
VCF VC resonance section.