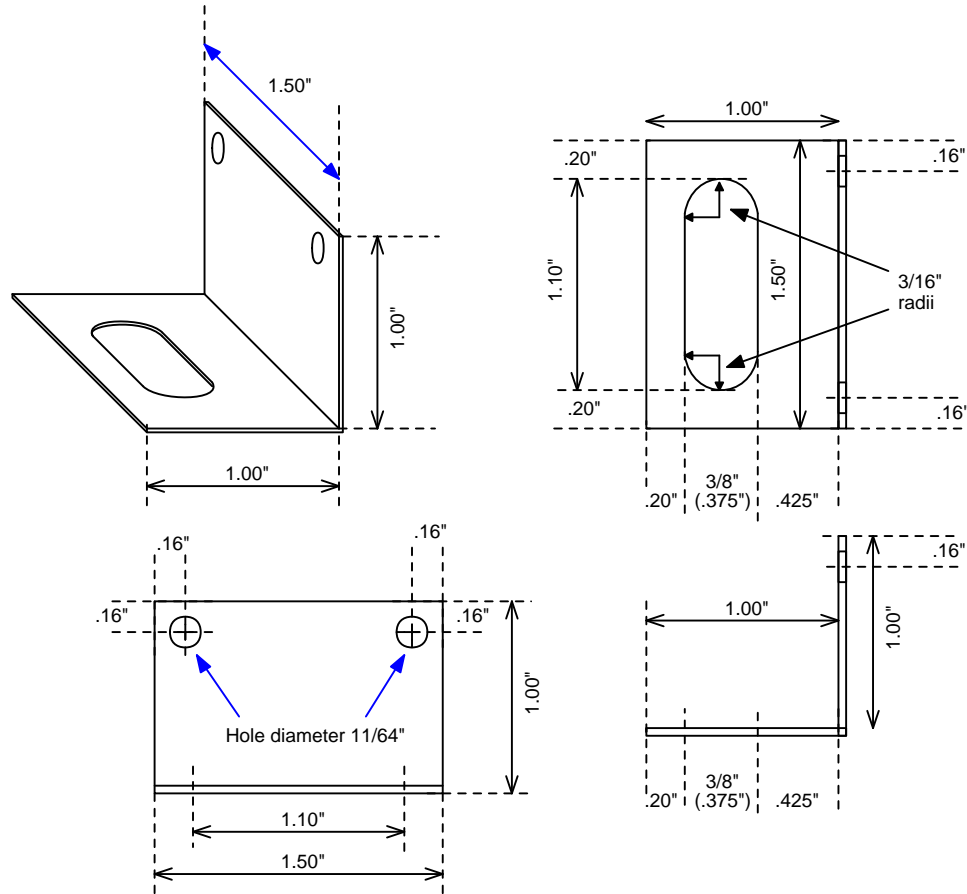


"L" Bracket



"L" Bracket Drawing
Drawn By: Ray Wilson Nov 11. 2006
Material: 1/32" mild steel plate.
Tolerance +/- .005"