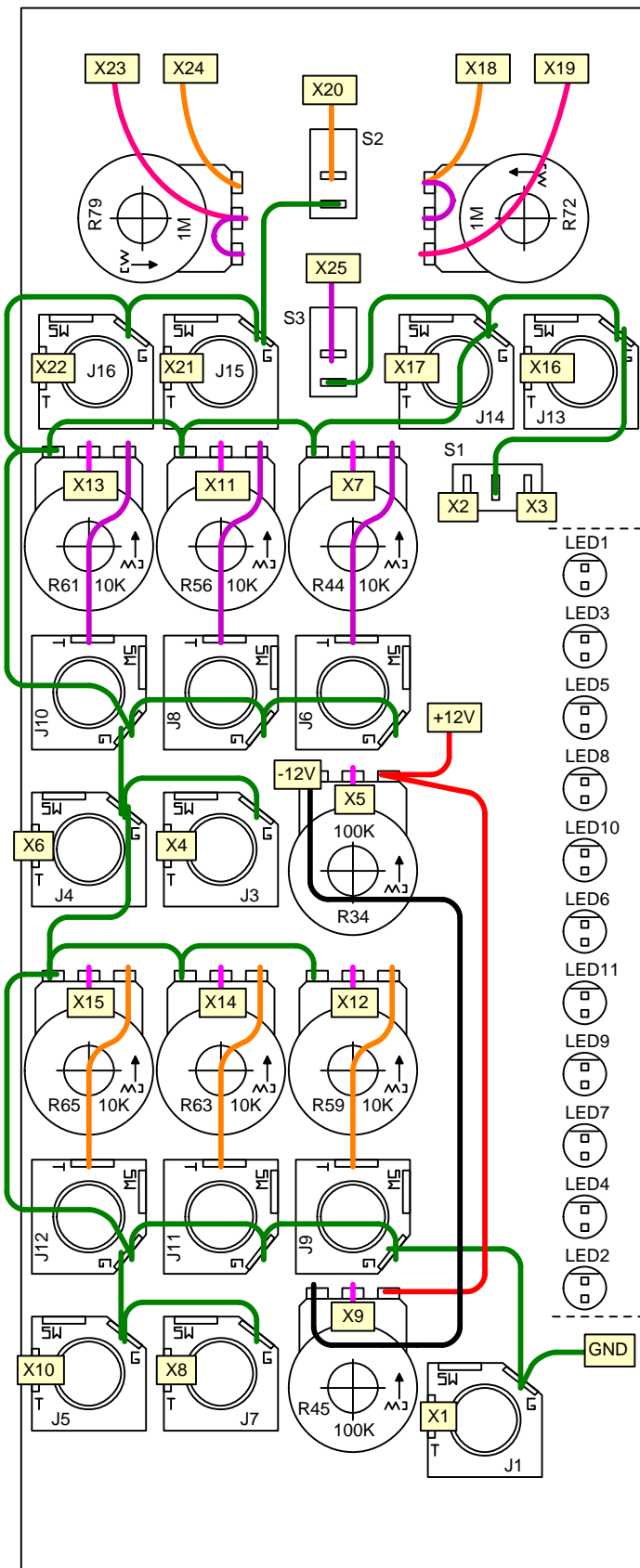


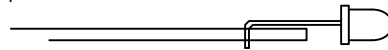
MFOS MULTI-FUNCTION MODULE WIRING REAR-VIEW OF PANEL.



LEDs are mounted on the PC board and protrude through the panel face.

The board can be mounted with just the LEDs that protrude through the panel if some type of glue is used. Otherwise you can fashion metal brackets that attach to panel and are held in place by S1 and J1.

LEDs are mounted to board and bent at a 90 degree angle as shown to match up with the panel holes.



If mounting your own LEDs wire each anode from the corresponding donut on the PC board. Wire all cathodes EXCEPT LED6 together and connect them to any of the LED cathode donuts EXCEPT LED6. Wire LED6's cathode to ground.