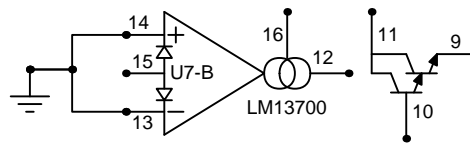


Voltage controlled resonance section

-5V to +5V  
no resonance  
to oscillation

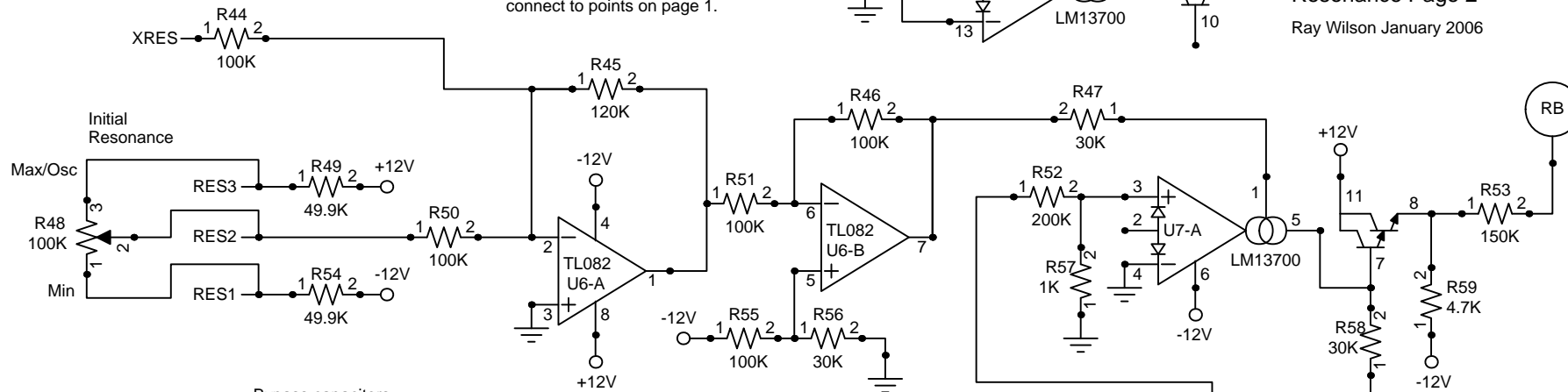
Notes

Unused transistors  
are in the LM13700  
Circuit points RA and RB  
connect to points on page 1.



Voltage Controlled Filter  
Four Pole 24dB/Octave  
With Voltage Controlled  
Resonance Page 2

Ray Wilson January 2006



Bypass capacitors

