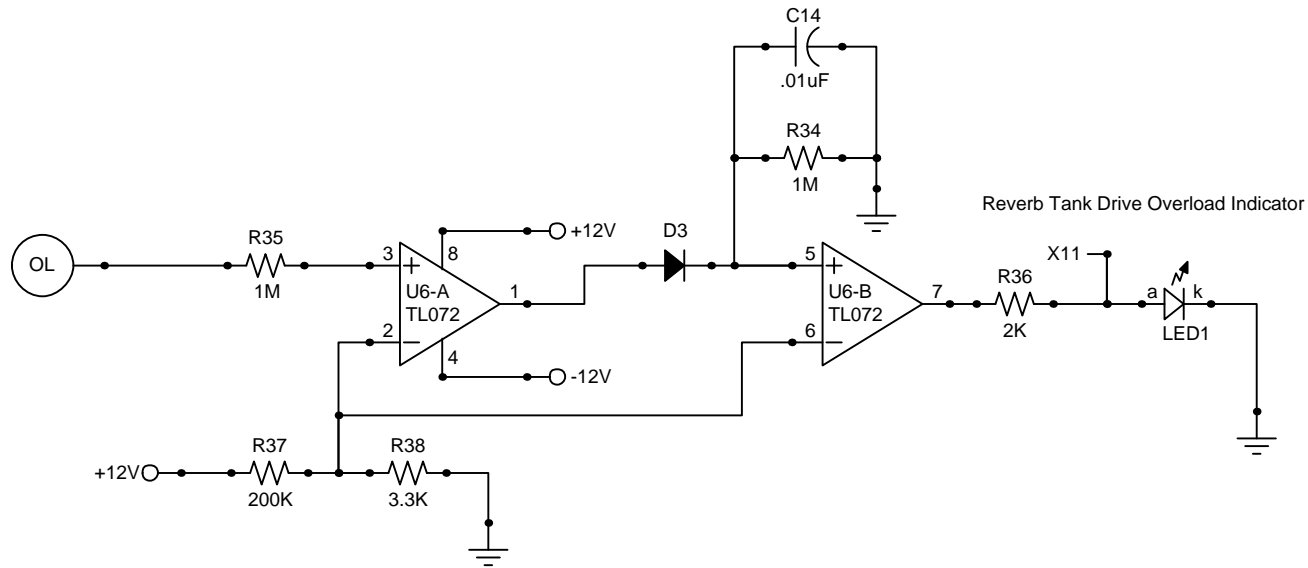


MFOS Voltage Controlled Reverb

Designed by Ray Wilson: April 2016



Power Supply Bypass Caps

