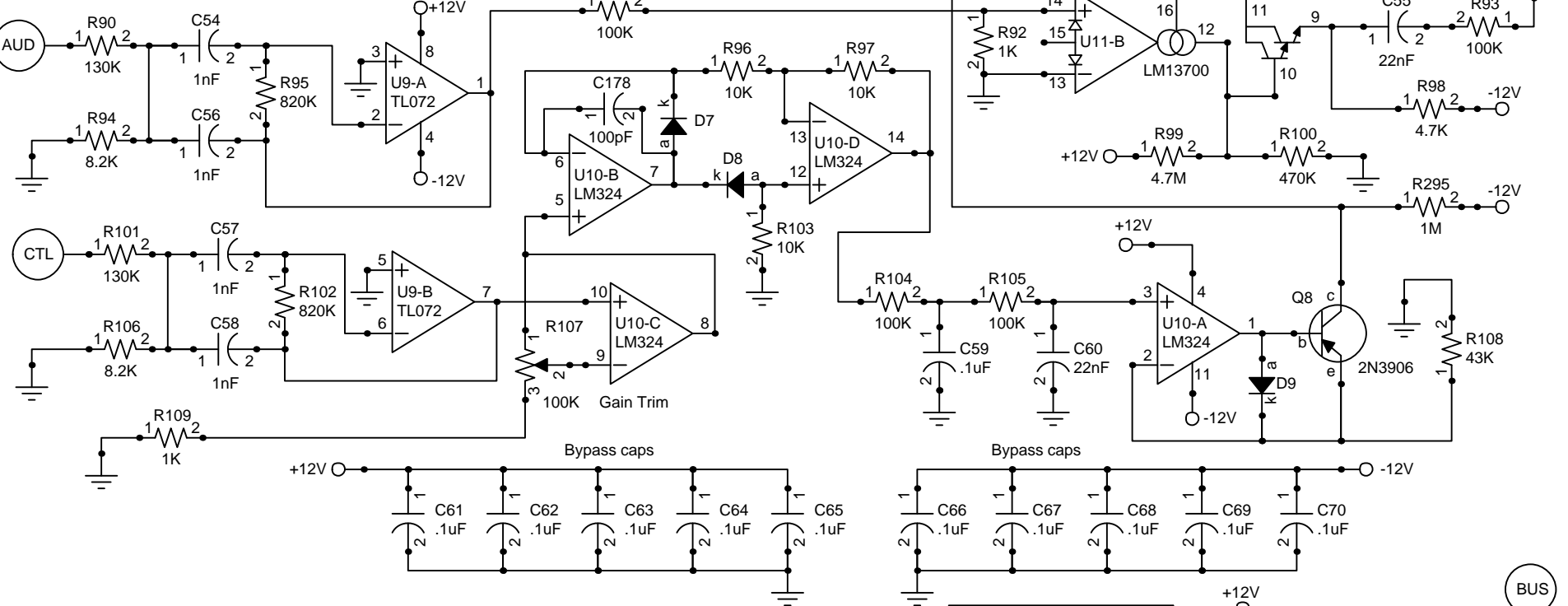


# MFOS 12 Channel Vocoder

Designed and Drawn by Ray Wilson

2001 Hz Band-Pass,  $G = -3.15$ ,  $Q = 5.16$



1495 Hz Band-Pass,  $G = -3.4$ ,  $Q = 3.2$

