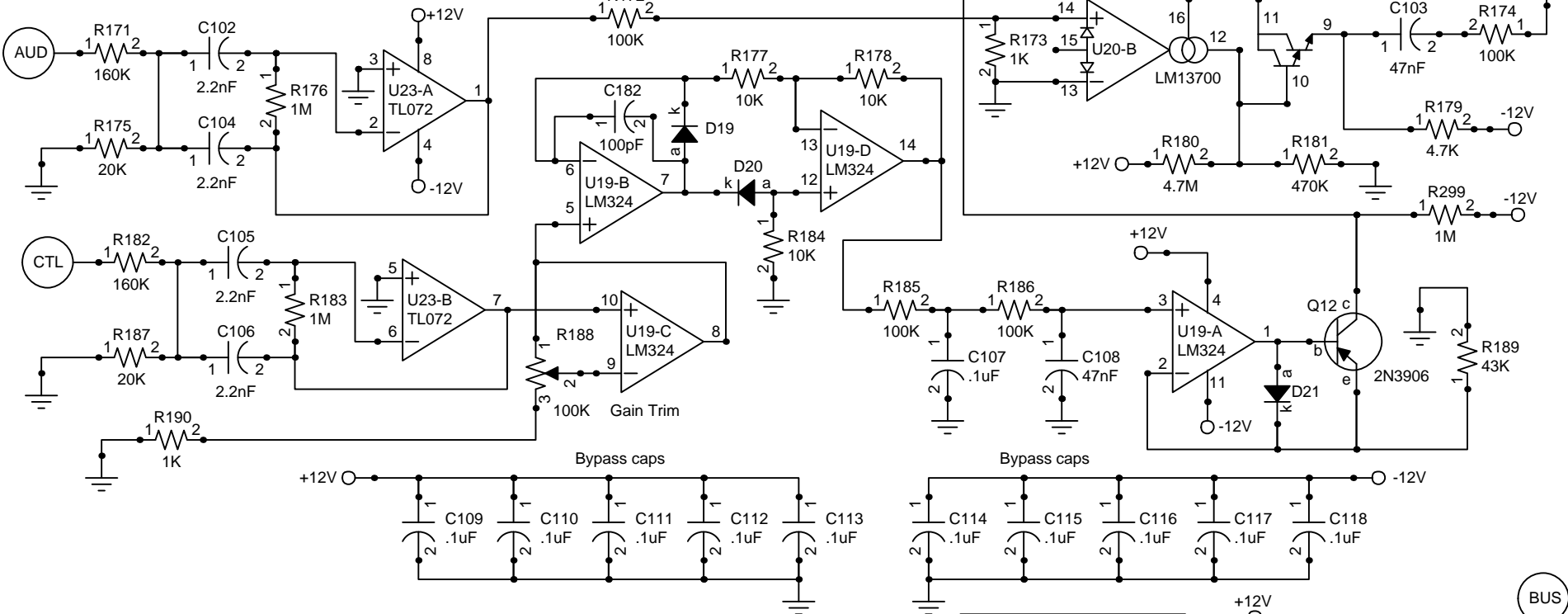


MFOS 12 Channel Vocoder

Designed and Drawn by Ray Wilson

542 Hz Band-Pass, $G = -3.12$, $Q = 3.75$



395 Hz Band-Pass, $G = -2.5$, $Q = 3.7$

