

About the SSM2210...

Analog Devices decided to stop making the SSM2210 in a DIP package. You can still find them in SOIC package as well as the improved SSM2212 version also in SOIC package. The new PC board can accommodate any of the following: SSM2210 or SSM2212 in DIP8 format SSM2210 or SSM2212 in SOIC format A pair of hand matched 2N3904 NPNs

Notes

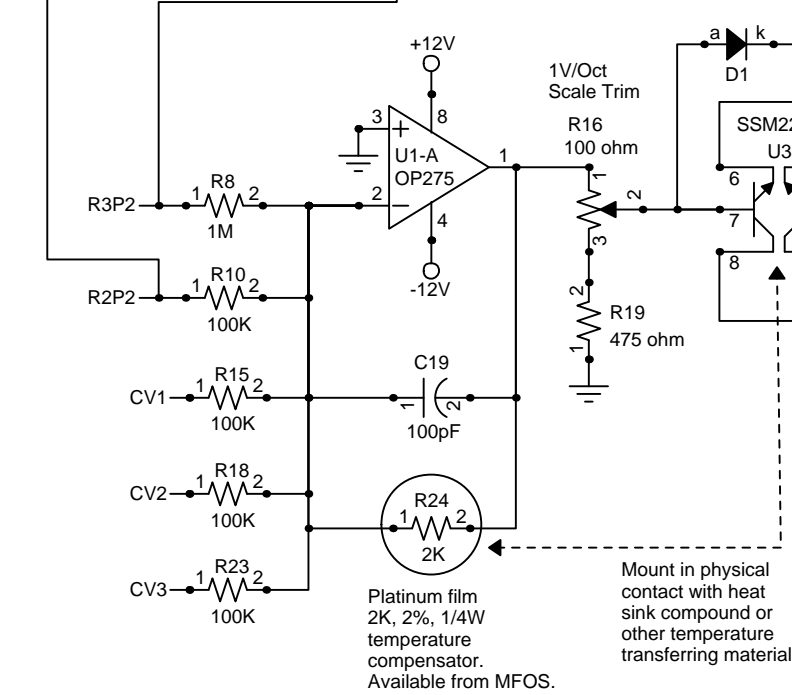
U1 can be any of these: LF442, TL072, LF412, LT1112, AD706, OP275

All diodes are 1N914 or 1N4148

A 2K metal film resistor can be used in place of PT146 (R24). However temperature drift will increase.

Q1 can be NTE457, 2N5457, J112, Basically any N-Channel JFET with similar characteristics and low on resistance.

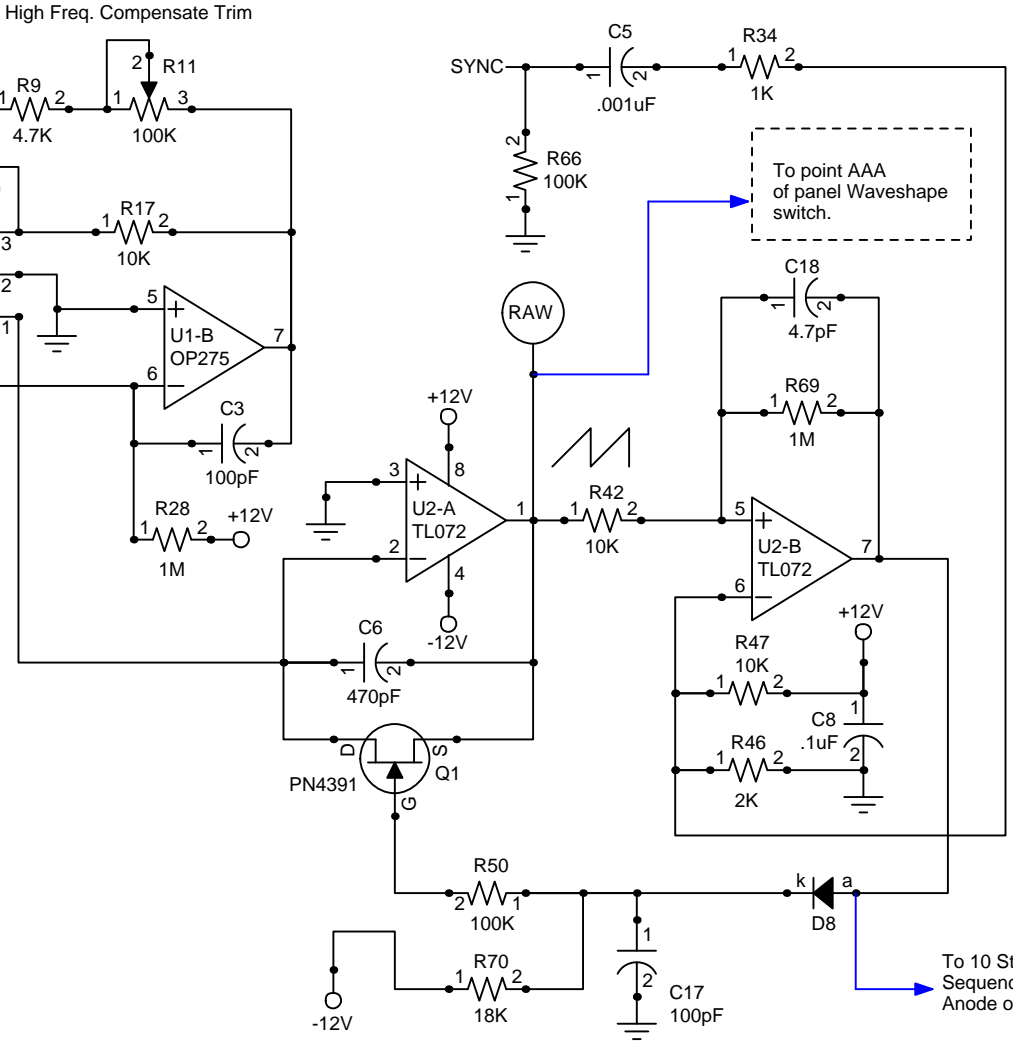
R33, R37, R58 designators not used.



Platinum film 2K, 2%, 1/4W temperature compensator. Available from MFOS.

Mount in physical contact with heat sink compound or other temperature transferring material.

A plain old 2K carbon film or carbon comp can be used in place of R24. Temperature drift will be more pronounced however.



To point AAA of panel Waveshape switch.

To 10 Step Sequencer Anode of D18.