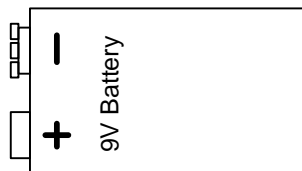
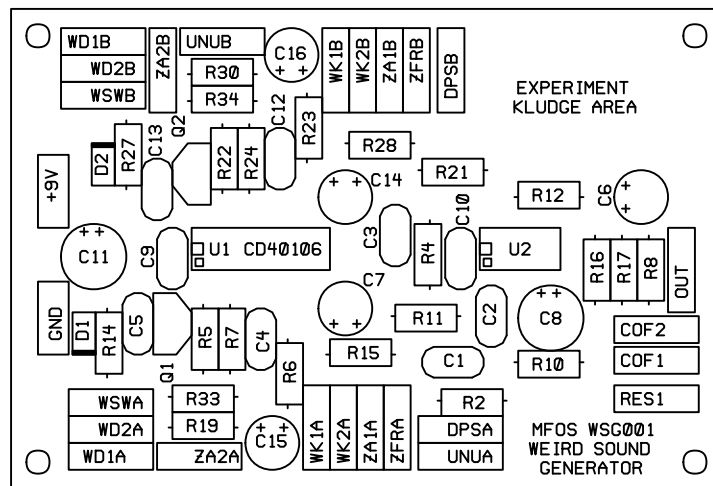


8.5" (approx. 216 mm)

# WSG CASE BOTTOM

Bottom. Trace holes from PC board and drill holes (5/32" drill). Use standoffs to mount PC board.

7.25" (approx 184 mm)



Use double stick tape to mount battery or use (or make) a battery holder.