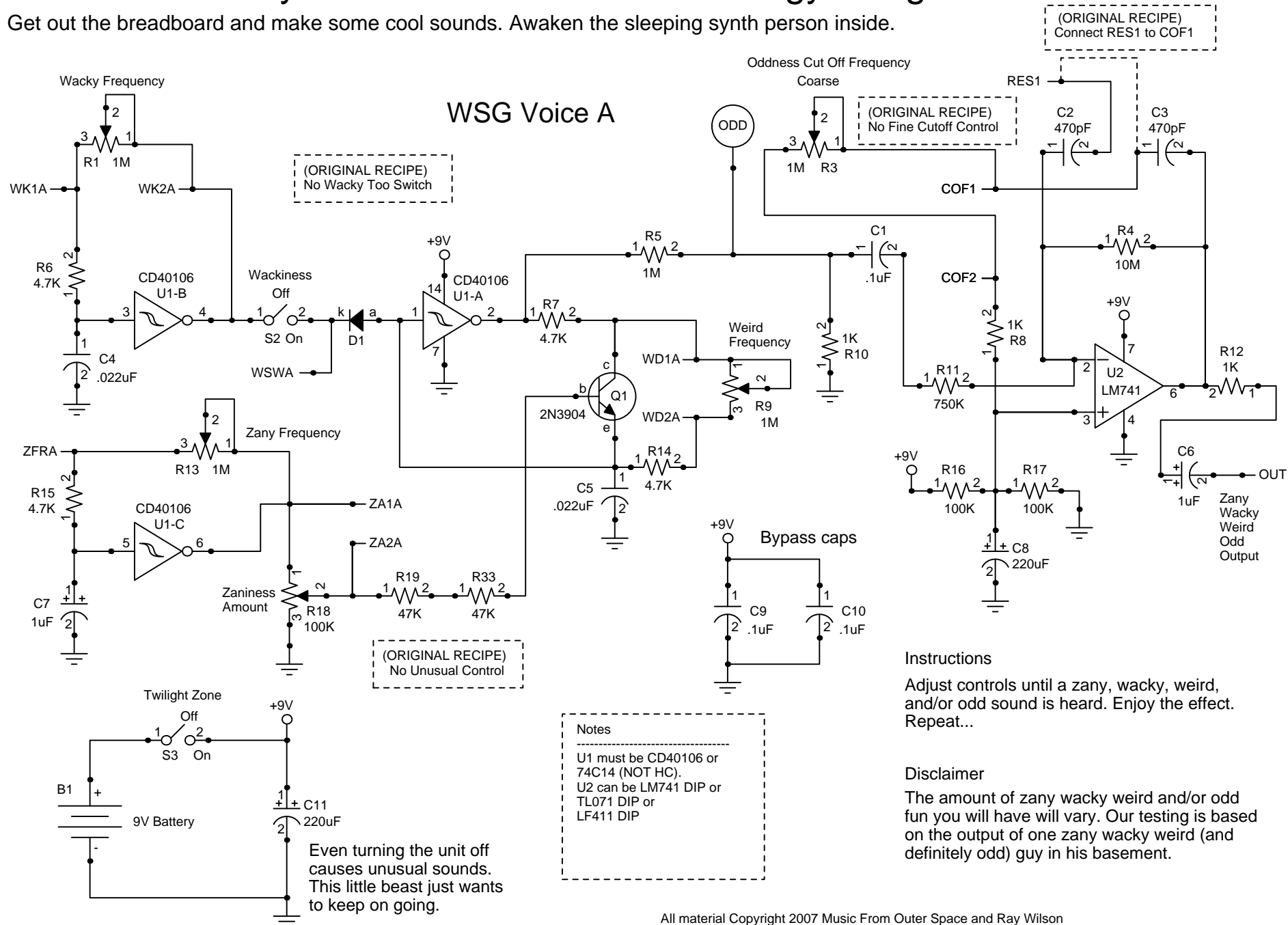


Your First Wacky Electronic Noise Maker Thingy - Aug 07

Get out the breadboard and make some cool sounds. Awaken the sleeping synth person inside.



WSG Voice A

(ORIGINAL RECIPE)
No Wacky Too Switch

(ORIGINAL RECIPE)
No Fine Cutoff Control

(ORIGINAL RECIPE)
Connect RES1 to COF1

(ORIGINAL RECIPE)
No Unusual Control

Notes

 U1 must be CD40106 or 74C14 (NOT HC).
 U2 can be LM741 DIP or TL071 DIP or LF411 DIP

Instructions

Adjust controls until a zany, wacky, weird, and/or odd sound is heard. Enjoy the effect. Repeat..

Disclaimer

The amount of zany wacky weird and/or odd fun you will have will vary. Our testing is based on the output of one zany wacky weird (and definitely odd) guy in his basement.