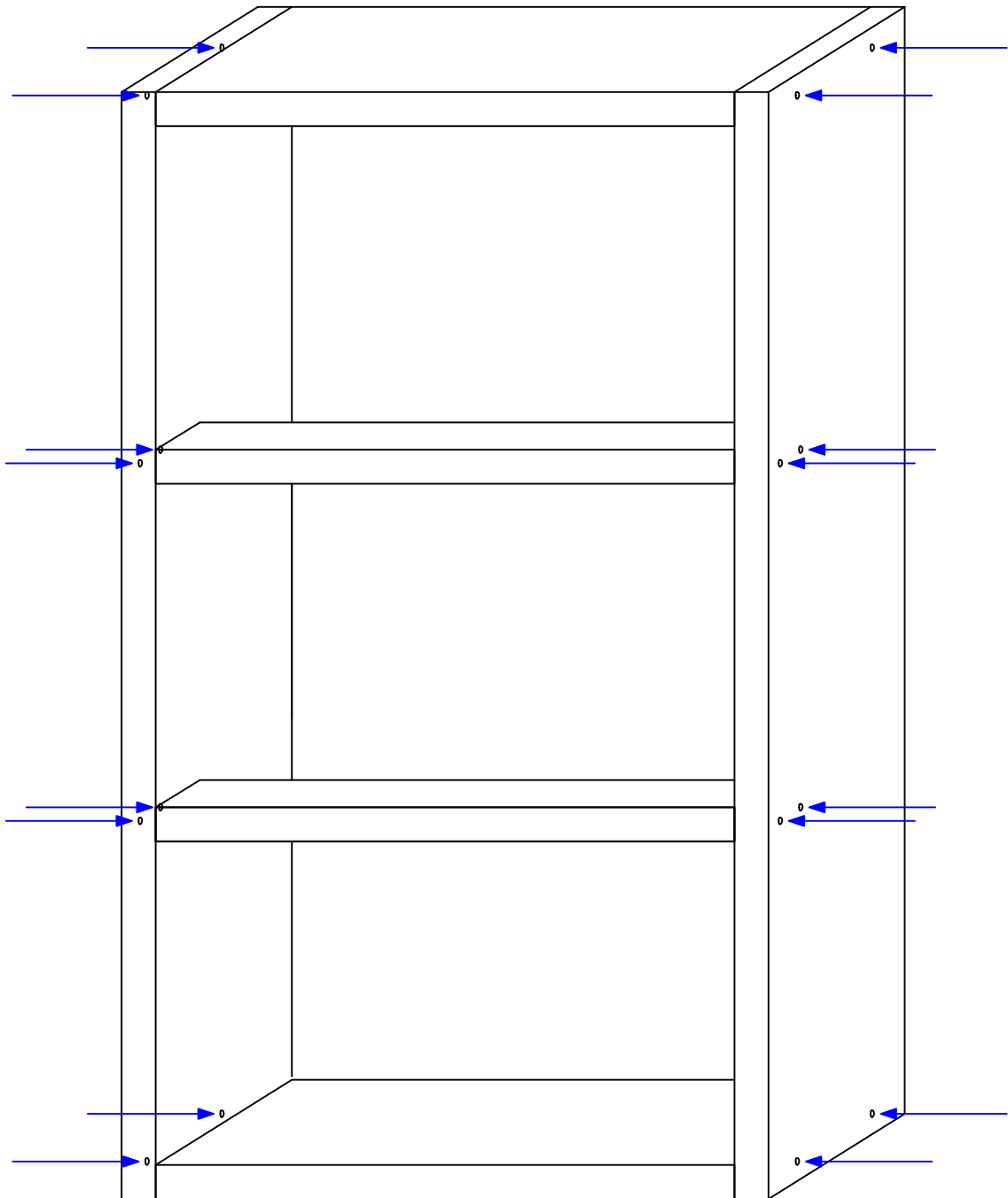


# Simple Yet Effective Synth-DIY Synth-Cabinet Ideas III

Recommended screw size for cabinet construction: #8 x 2" long flat head phillips.  
Predrill all holes using 1/8" drill size prior to fastening with wood glue and screws.

*Blue lines show where the holes should be pre-drilled and screws inserted.*



**NOT TO SCALE**