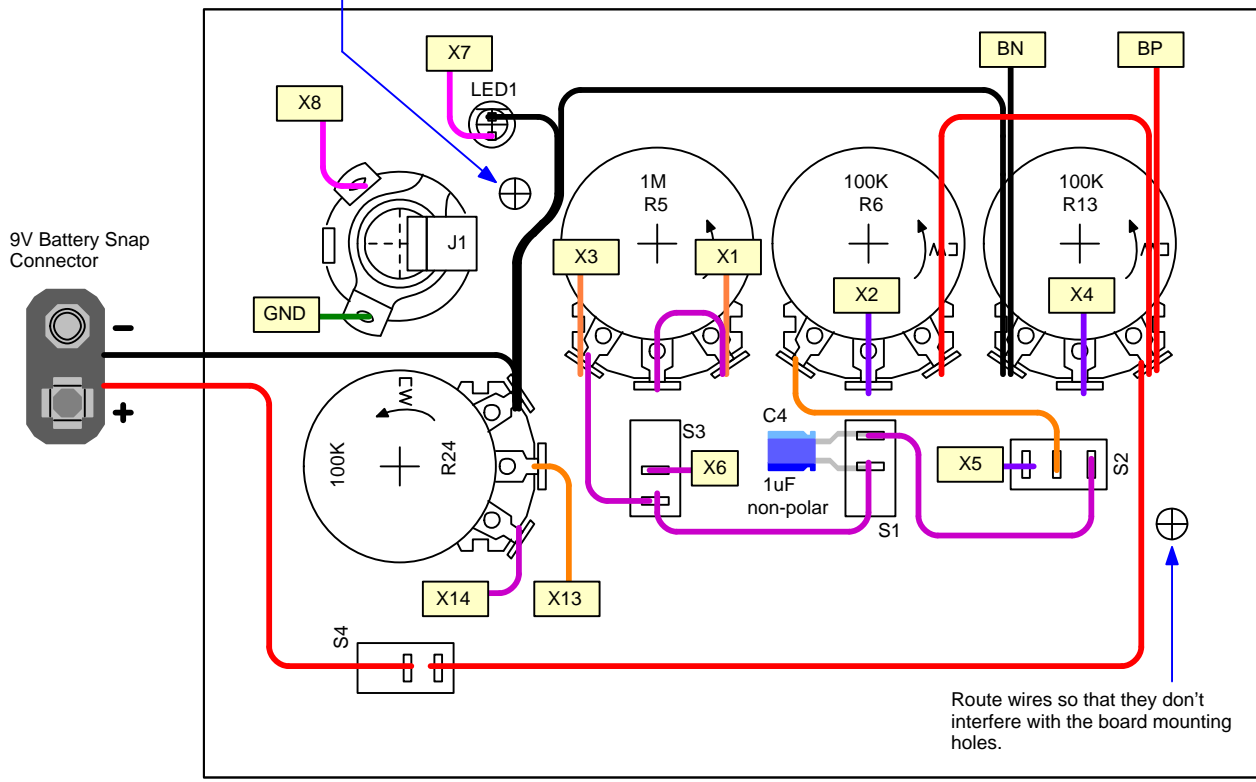
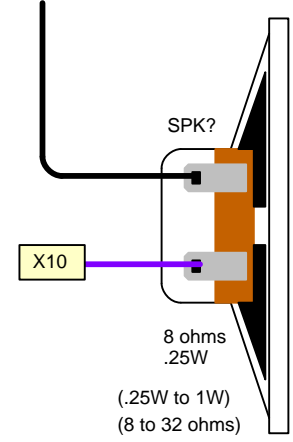


Route wires so that they don't interfere with the board mounting holes.



This speaker lead goes to BN. There is a pad on the board next to X10 which is specifically for this speaker lead and connected to BN. Or you can connect it to BN on the front panel.



Route wires so that they don't interfere with the board mounting holes.