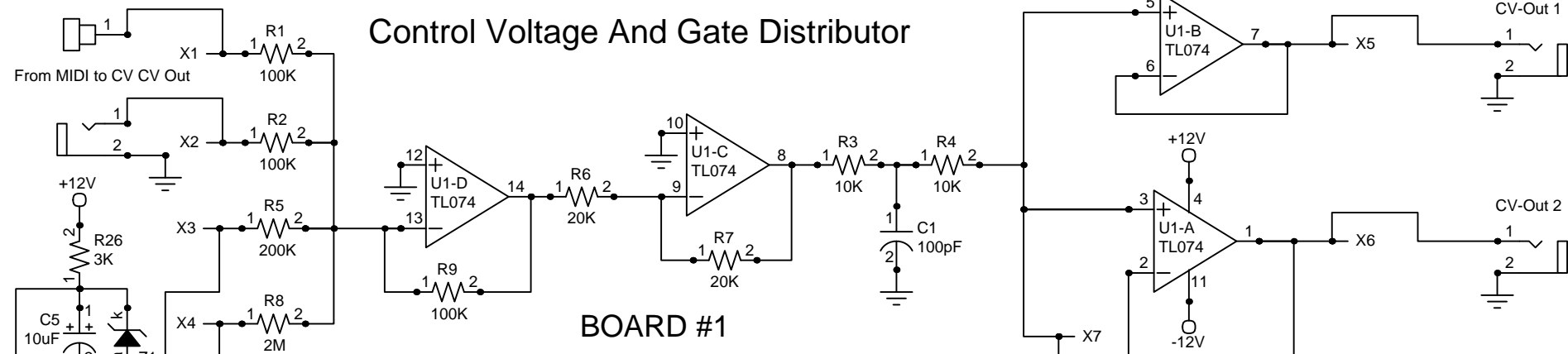


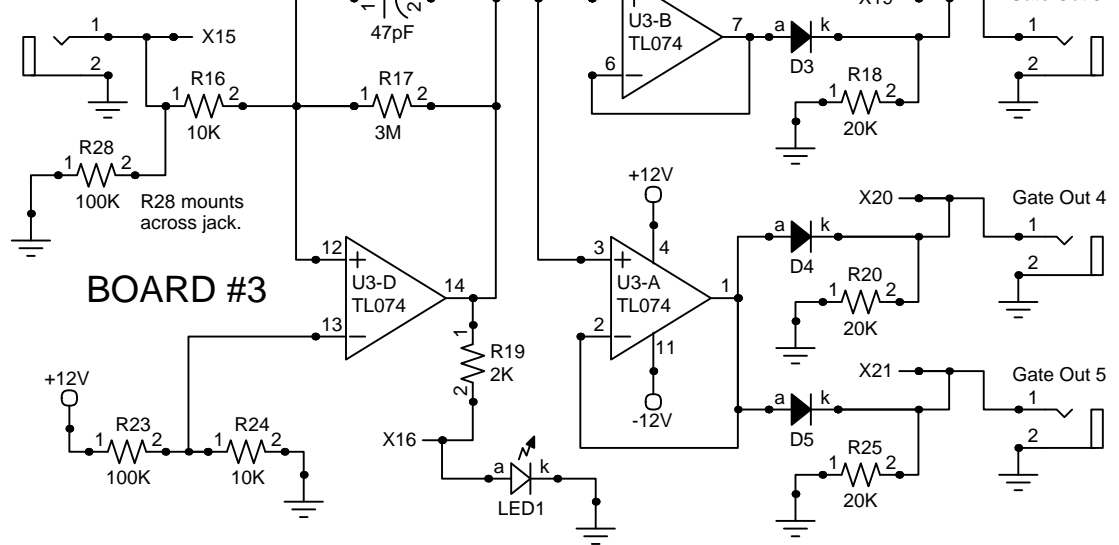
Control Voltage And Gate Distributor

BOARD #1



Z1 and Z2 are 1N5239B 9.1V Zener Diodes

From MIDI to CV Gate Out



BOARD #3

