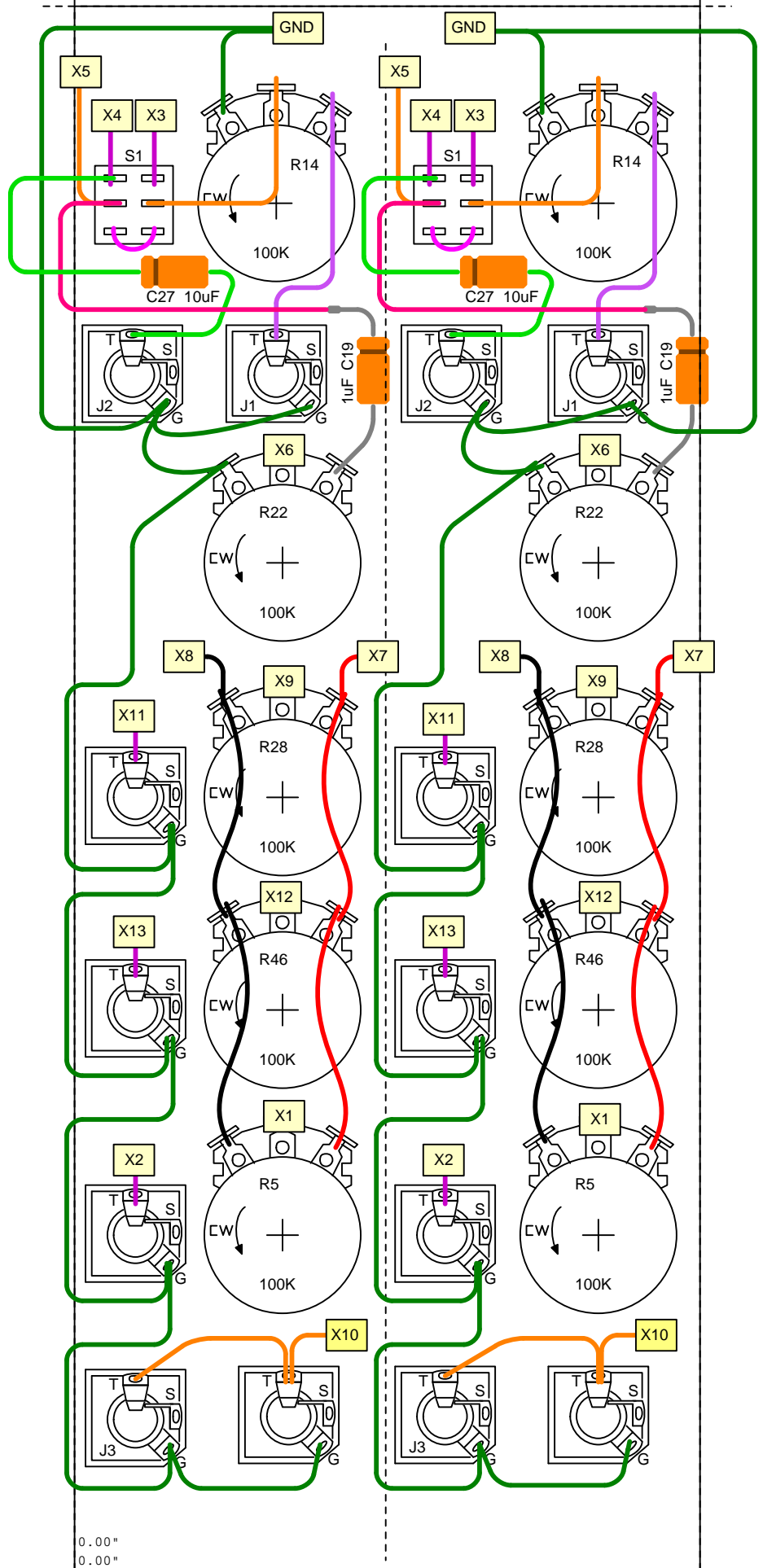


**Dual MFOS  
Voltage Controlled  
Echo Module  
Rear Wiring View**

Rear wiring view for the 10" x 4" format dual echo module panel.

Wire both modules separately to their respective PC boards.

I mounted my boards using MFOS universal mounting brackets. I use Amphenol jacks because they take up less rear panel space.  
**T = Tip**  
**G = Ground**  
**S = Switched Leg**



0.00"  
0.00"