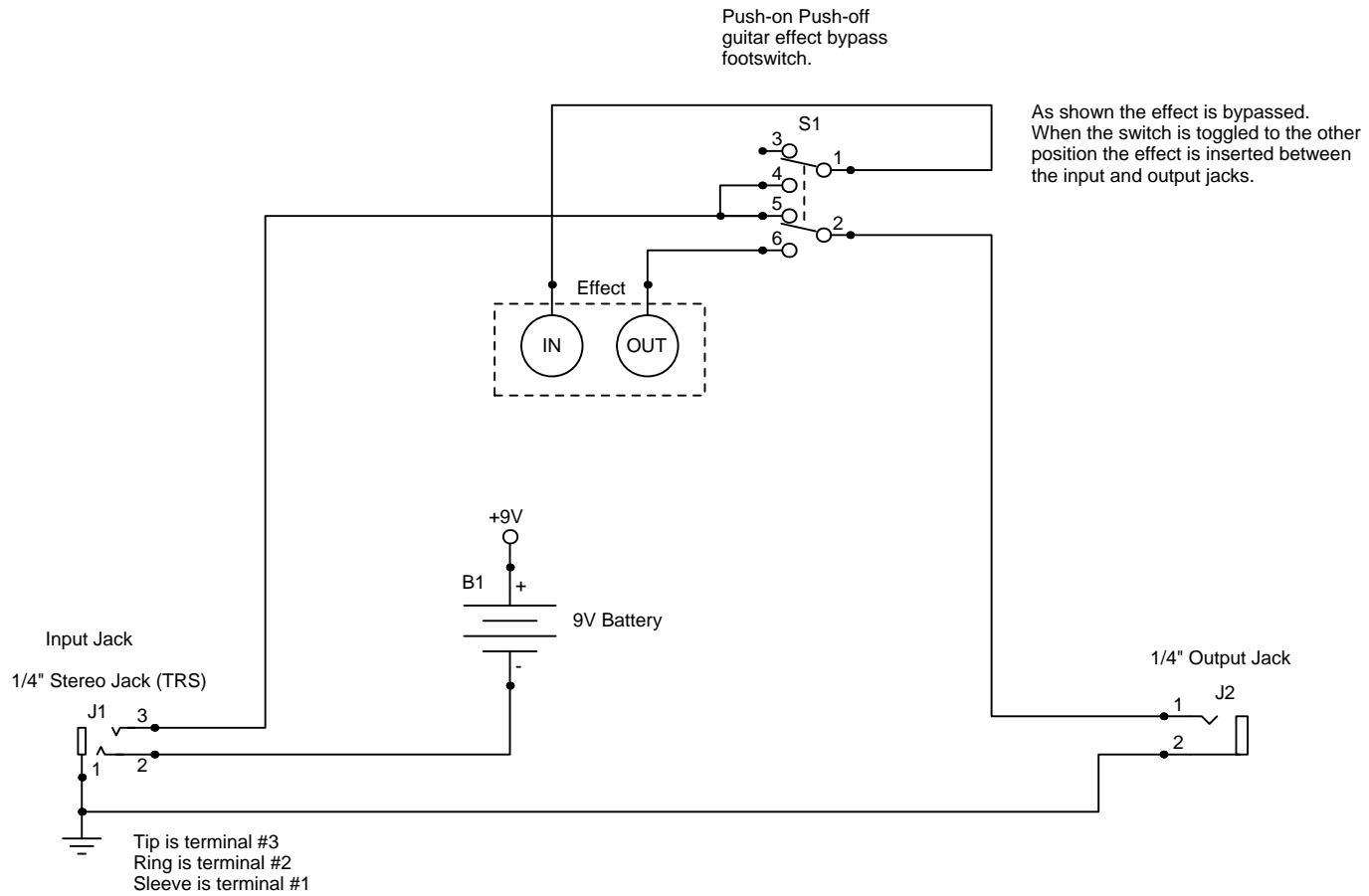


MFOS Envelope Follower Controlled Filter (Auto-Wah) Jack, Power and Footswitch Wiring



When mono guitar jack is inserted the ring and sleeve are connected together by the jack's sleeve. Thus the battery minus terminal is connected to the PC board's GND input and the effect is powered.

Remember to unplug your guitar jack when the effect is not in use to preserve the battery life.