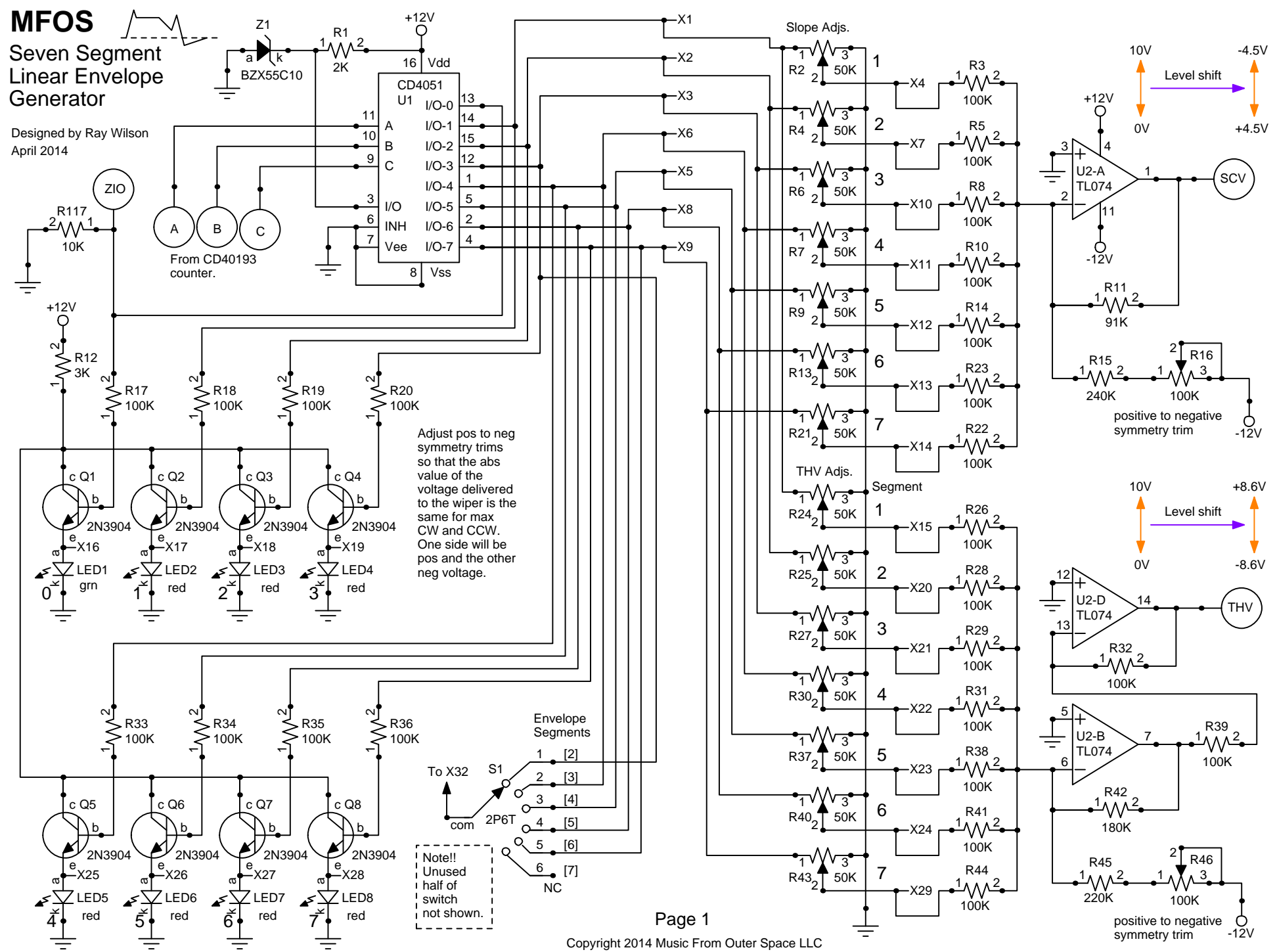


MFOS

Seven Segment Linear Envelope Generator

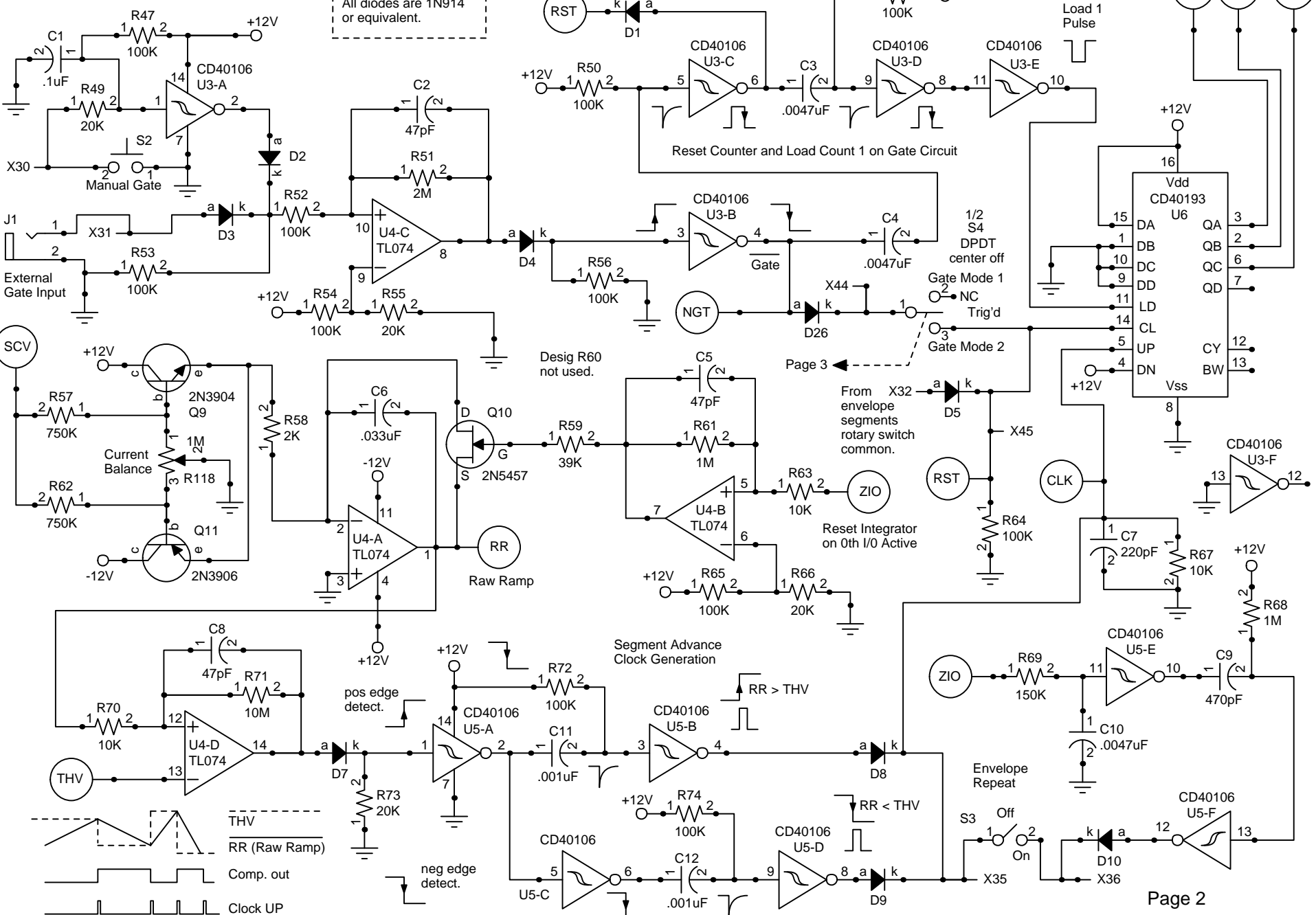
Designed by Ray Wilson
April 2014



MFOS Seven Segment Linear Envelope Generator

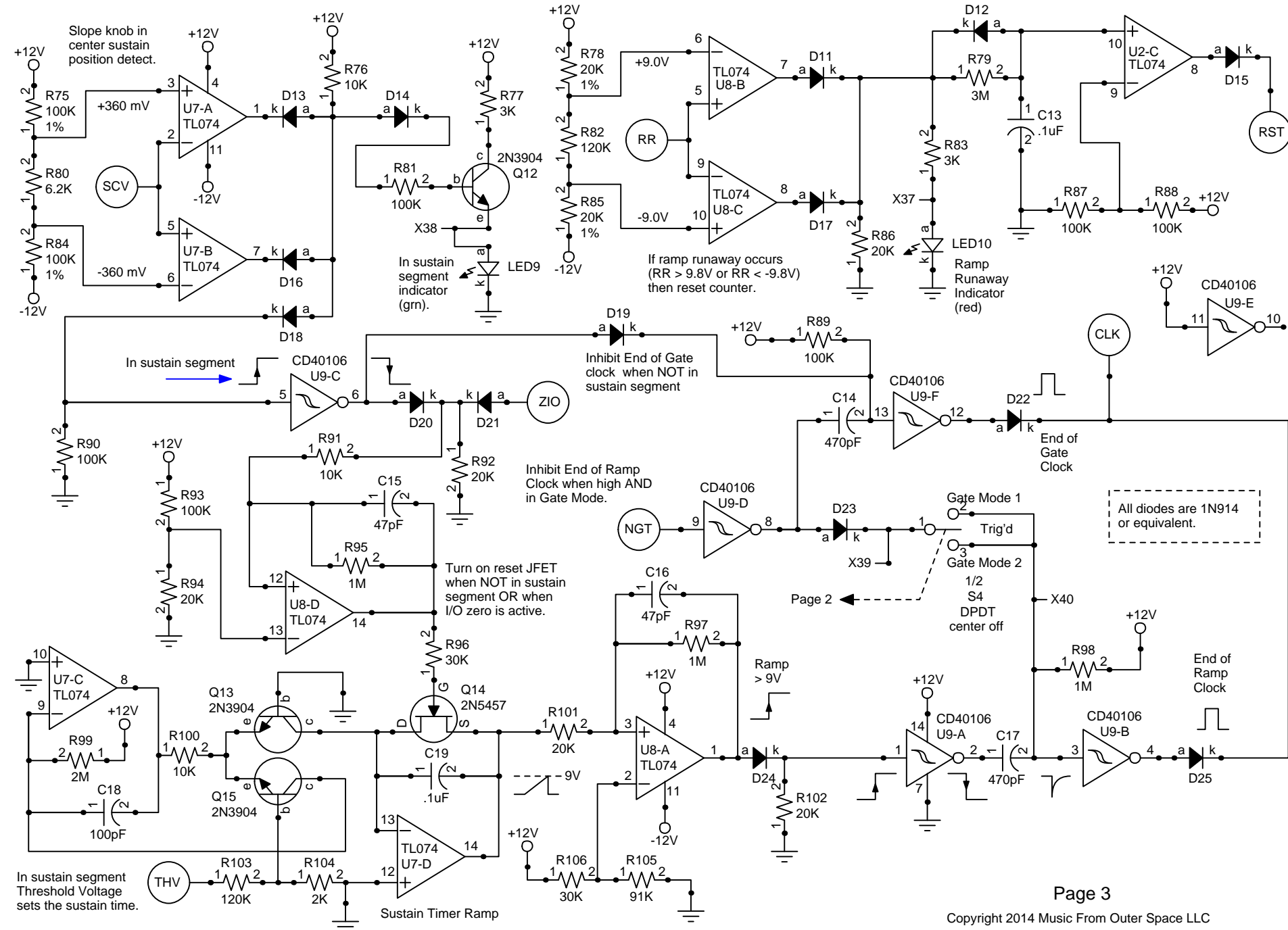
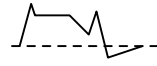
Designed by Ray Wilson April 2014

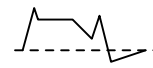
All diodes are 1N914 or equivalent.



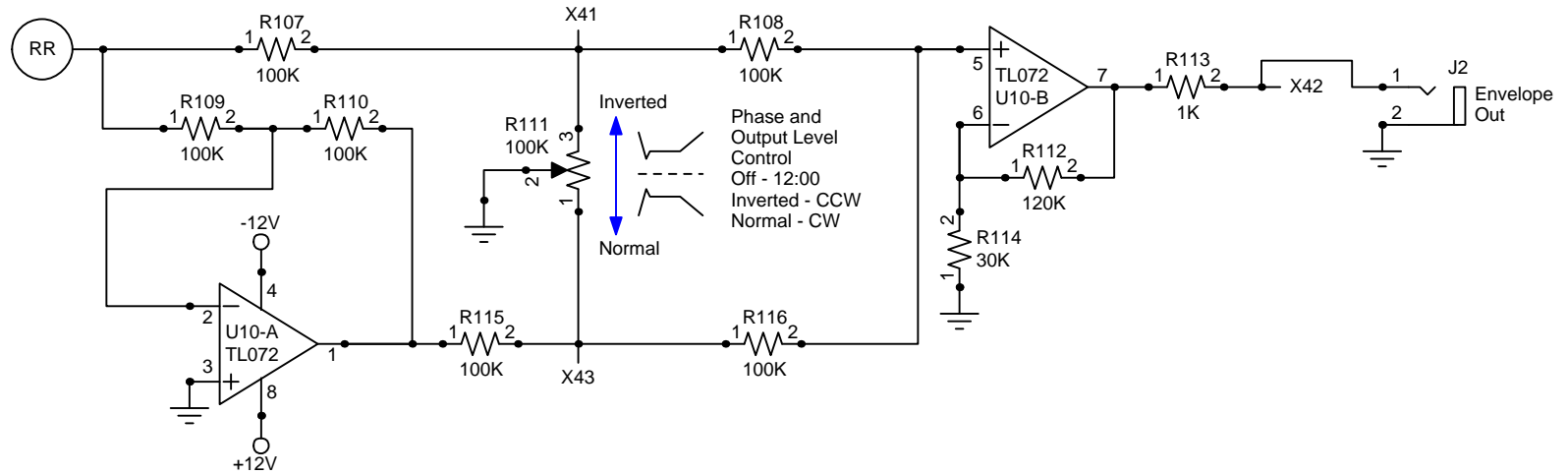
MFOS Seven Segment Linear Envelope Generator

Designed by Ray Wilson April 2014





Envelope output buffer level and phase control.



Bypass capacitors

