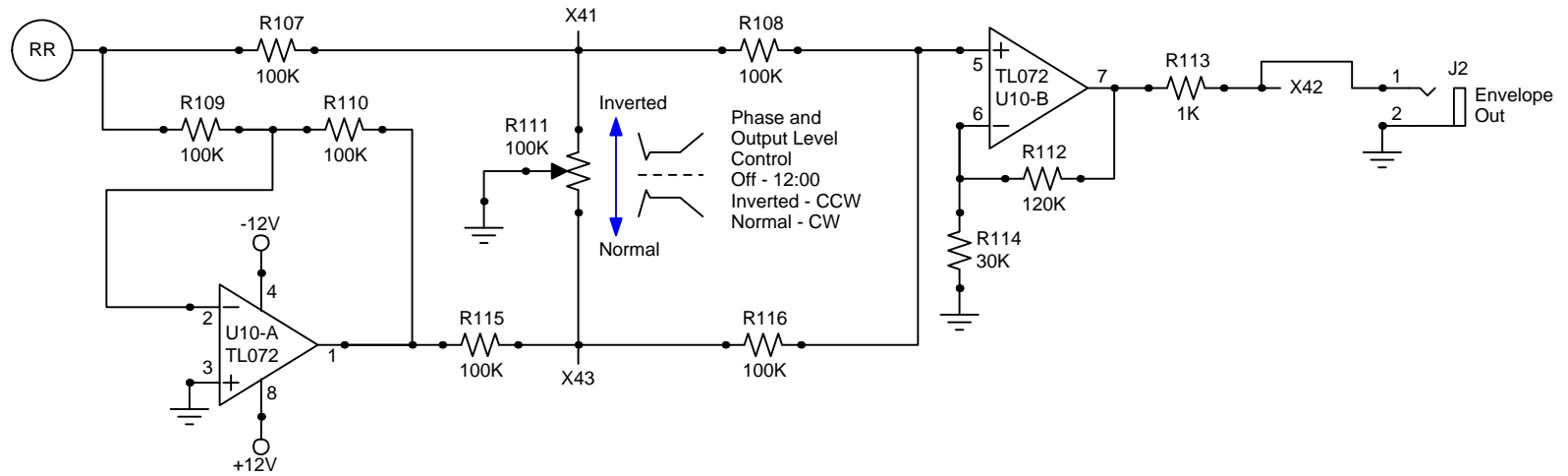


Envelope output buffer level and phase control.



Bypass capacitors

