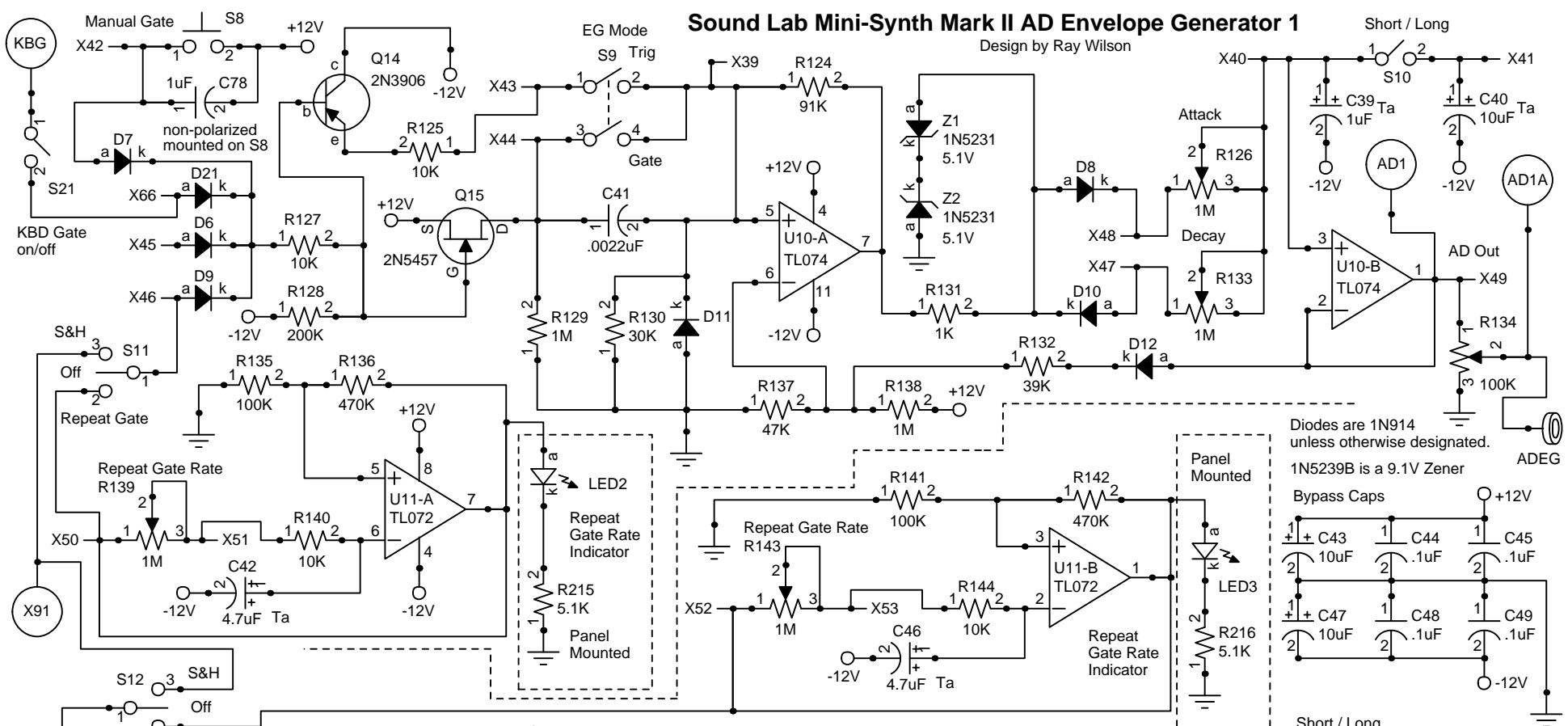
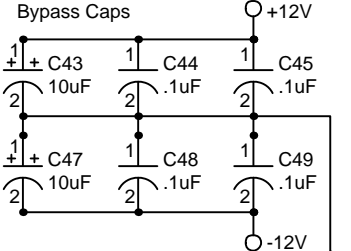


Sound Lab Mini-Synth Mark II AD Envelope Generator 1

Design by Ray Wilson

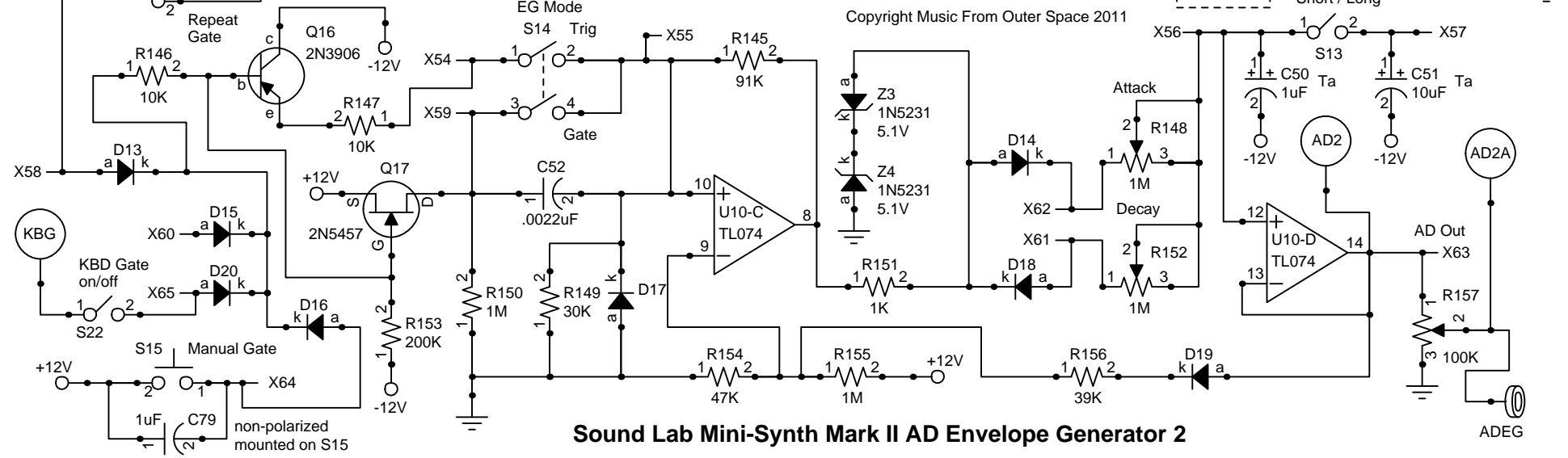


Diodes are 1N914 unless otherwise designated.
1N5239B is a 9.1V Zener



Sound Lab Mini-Synth Mark II AD Envelope Generator 2

Copyright Music From Outer Space 2011



ADEG