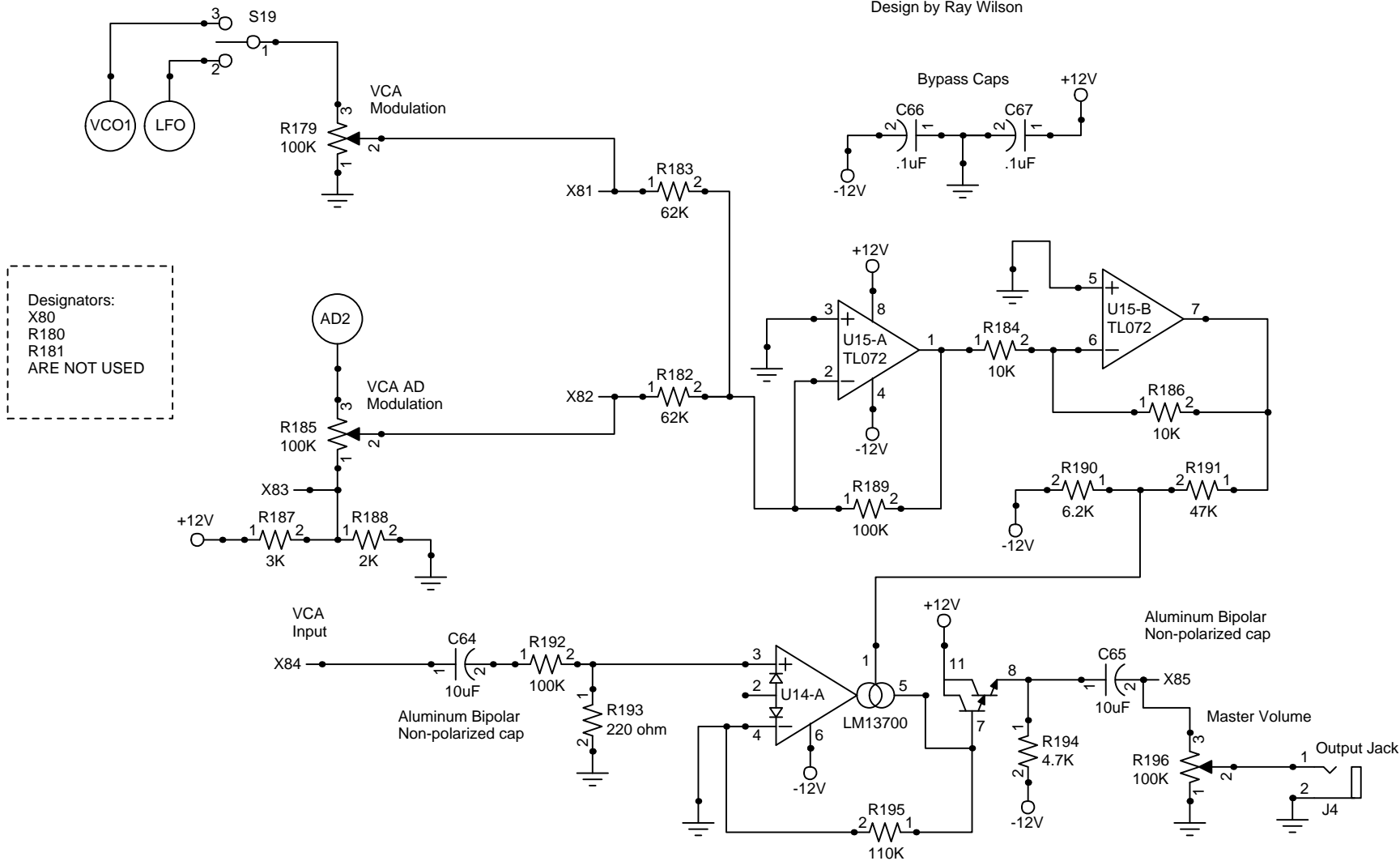


Sound Lab Mini-Synth Mark II Voltage Controlled Amplifier

Design by Ray Wilson



Designators:
X80
R180
R181
ARE NOT USED