

# MFOS Sound Lab ULTIMATE VCO-1

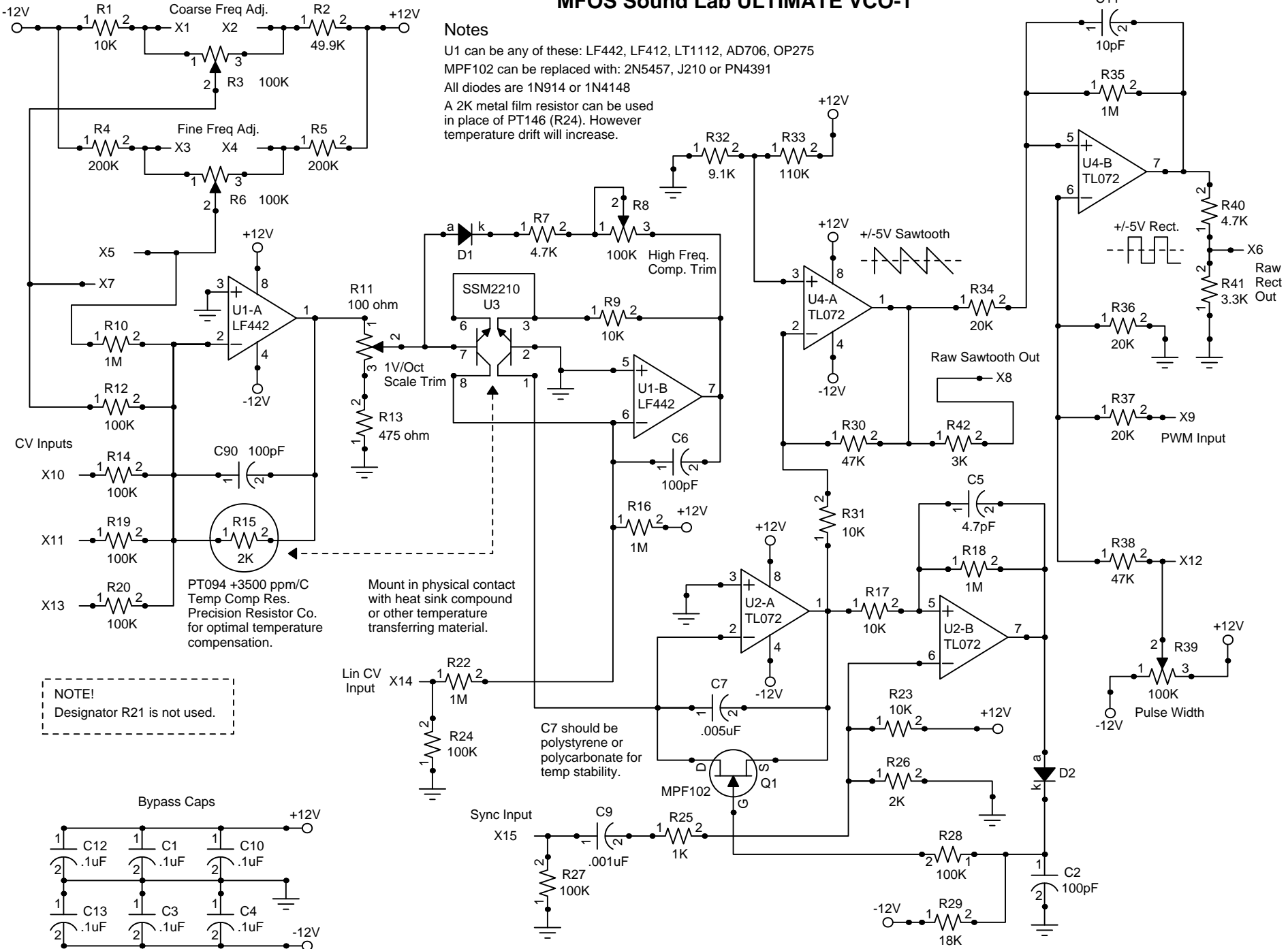
## Notes

U1 can be any of these: LF442, LF412, LT1112, AD706, OP275

MPF102 can be replaced with: 2N5457, J210 or PN4391

All diodes are 1N914 or 1N4148

A 2K metal film resistor can be used in place of PT146 (R24). However temperature drift will increase.

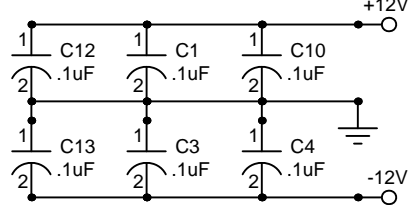


Coarse Freq Adj. X1 X2  
 Fine Freq Adj. X3 X4  
 1V/Oct Scale Trim X5  
 Raw Sawtooth Out X8  
 PWM Input X9  
 Pulse Width X12  
 Raw Rect Out X6

CV Inputs X10 X11 X13

NOTE!  
 Designator R21 is not used.

Bypass Caps



Mount in physical contact with heat sink compound or other temperature transferring material.

C7 should be polystyrene or polycarbonate for temp stability.