

MFOS Sound Lab ULTIMATE VCO-2

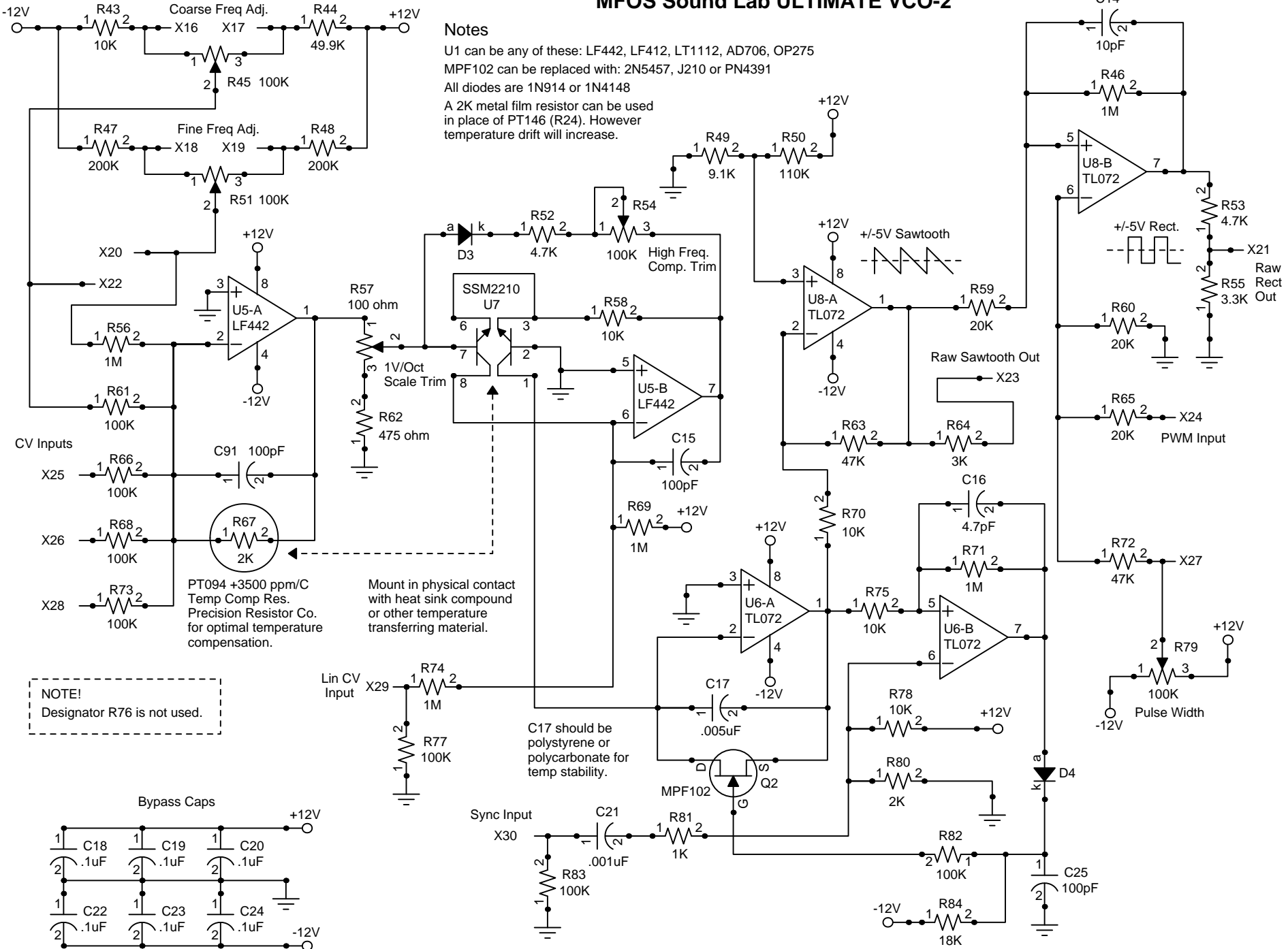
Notes

U1 can be any of these: LF442, LF412, LT1112, AD706, OP275

MPF102 can be replaced with: 2N5457, J210 or PN4391

All diodes are 1N914 or 1N4148

A 2K metal film resistor can be used in place of PT146 (R24). However temperature drift will increase.



PT094 +3500 ppm/C
Temp Comp Res.
Precision Resistor Co.
for optimal temperature
compensation.

Mount in physical contact
with heat sink compound
or other temperature
transferring material.

NOTE!
Designator R76 is not used.

C17 should be
polystyrene or
polycarbonate for
temp stability.

Bypass Caps

