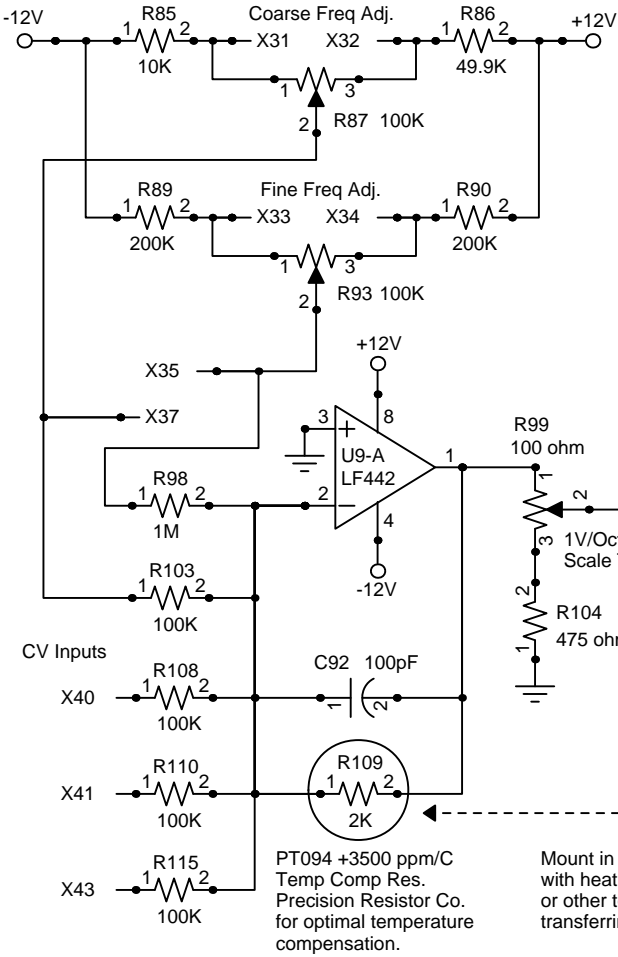


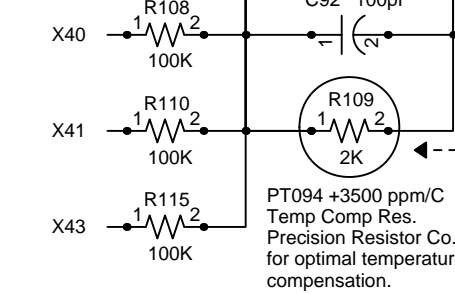
# MFOS Sound Lab ULTIMATE VCO-3



## Notes

U1 can be any of these: LF442, LF412, LT1112, AD706, OP275  
 MPF102 can be replaced with: 2N5457, J210 or PN4391  
 All diodes are 1N914 or 1N4148  
 A 2K metal film resistor can be used in place of PT146 (R24). However temperature drift will increase.

## CV Inputs

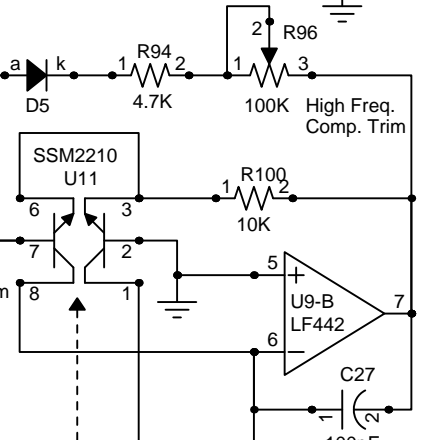
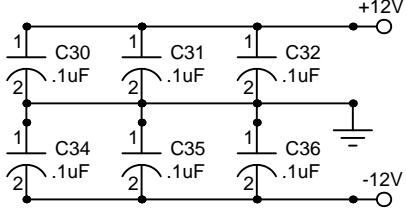


PT094 +3500 ppm/C Temp Comp Res. Precision Resistor Co. for optimal temperature compensation.

Mount in physical contact with heat sink compound or other temperature transferring material.

NOTE!  
Designator R118 is not used.

## Bypass Caps



C29 should be polystyrene or polycarbonate for temp stability.

## Sync Input

