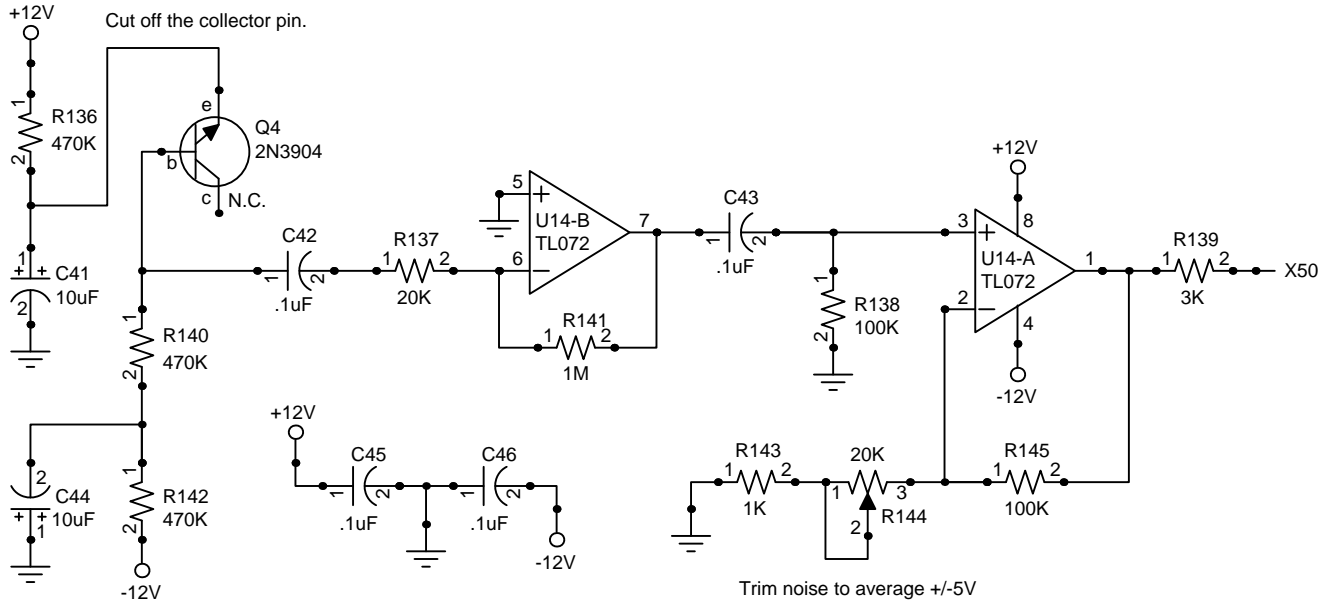


## MFOS Sound Lab ULTIMATE Noise Generator



Select the noisiest 2N3904 in your box for best results.  
 2N5172 is a good noise transistor too but note the pinout difference if you use it.

